

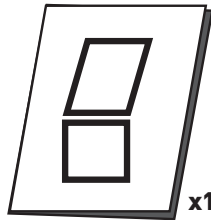
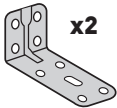
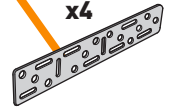
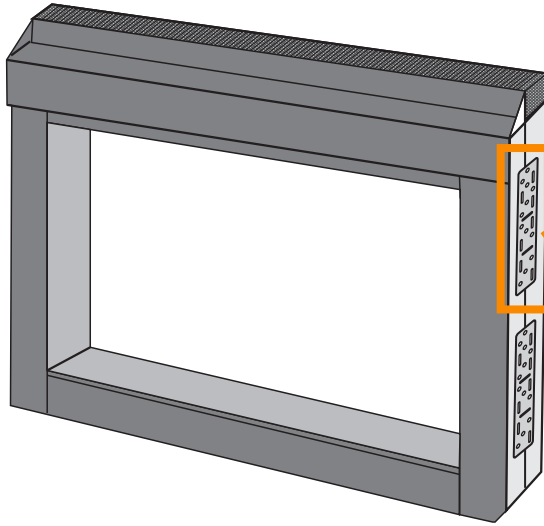
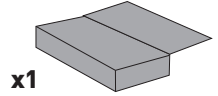
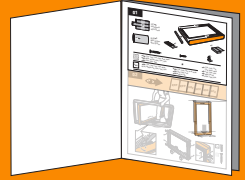
# UBN | SBN



INS-UBN-SBN, 404098

Roof windows for **smart professionals**





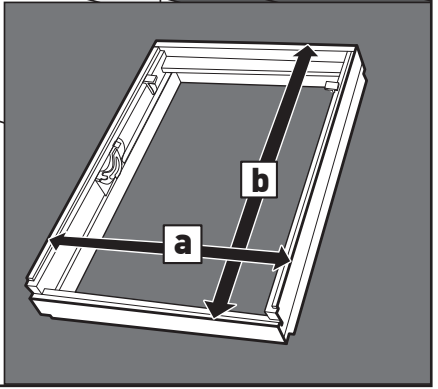
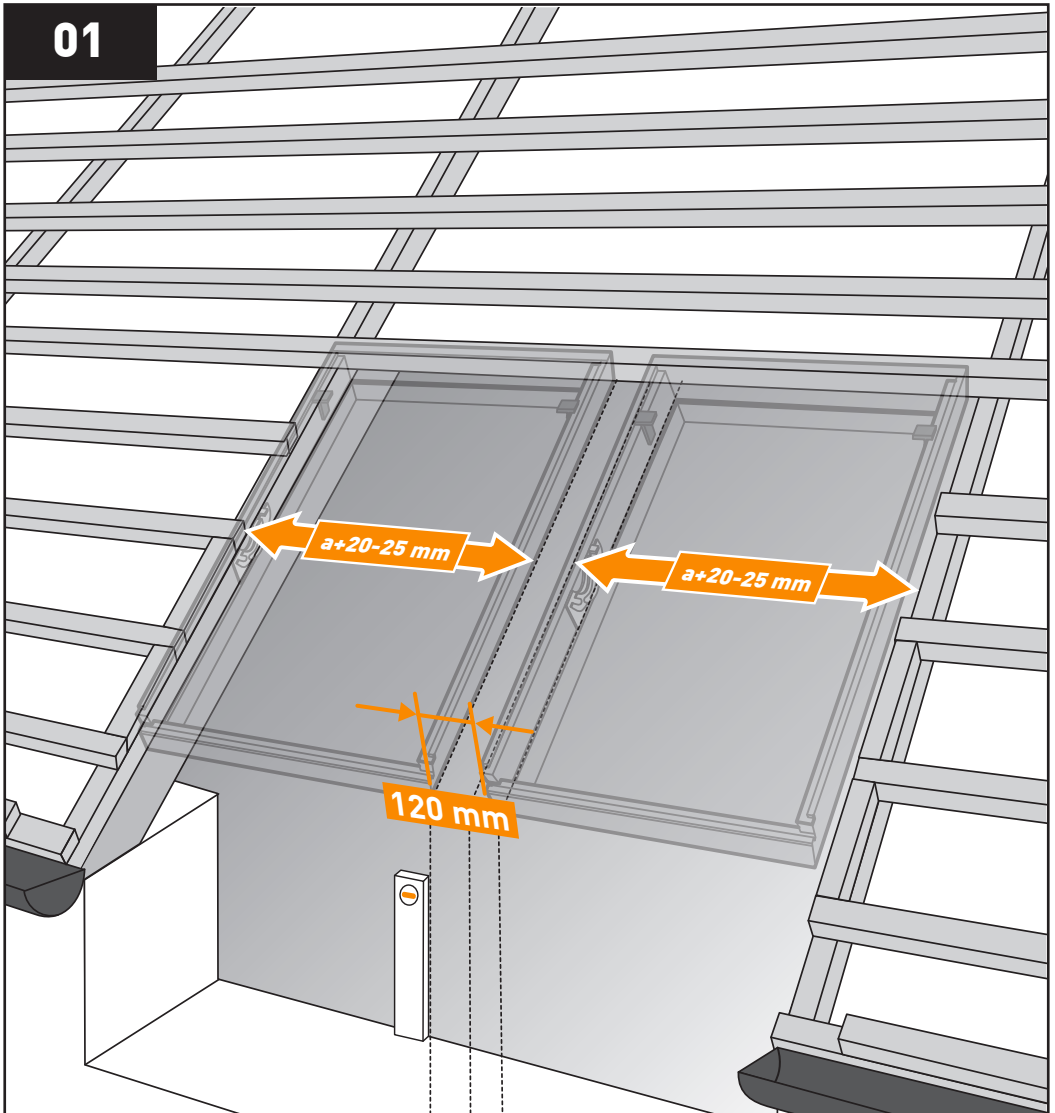
x16

x3

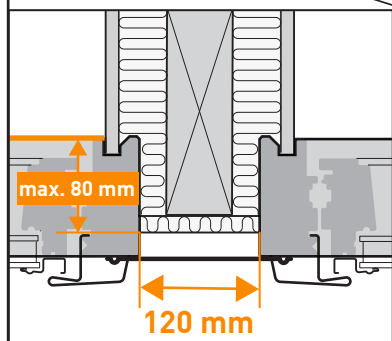
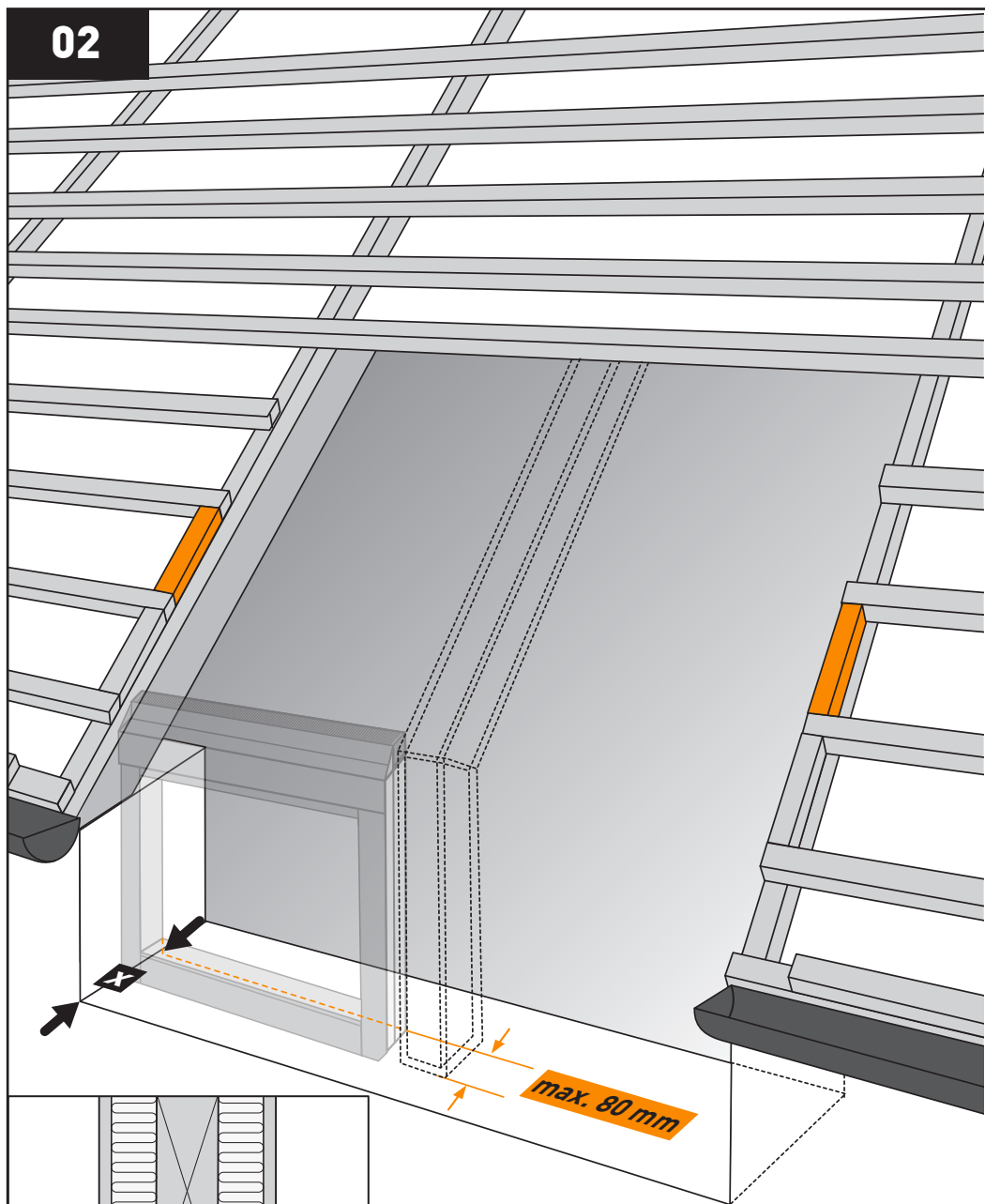
x8

x7

01

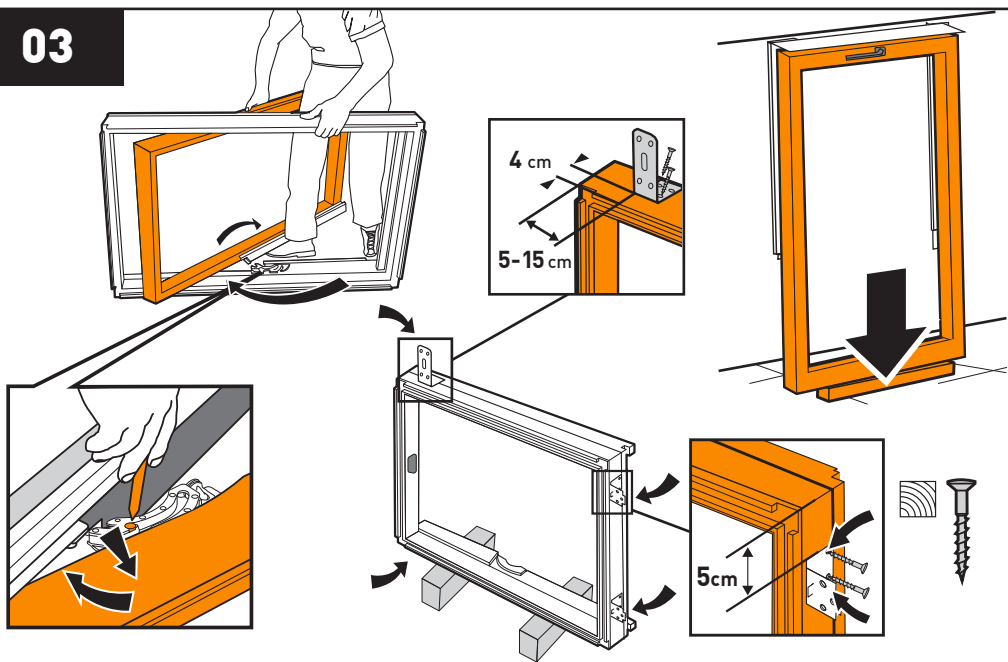


02



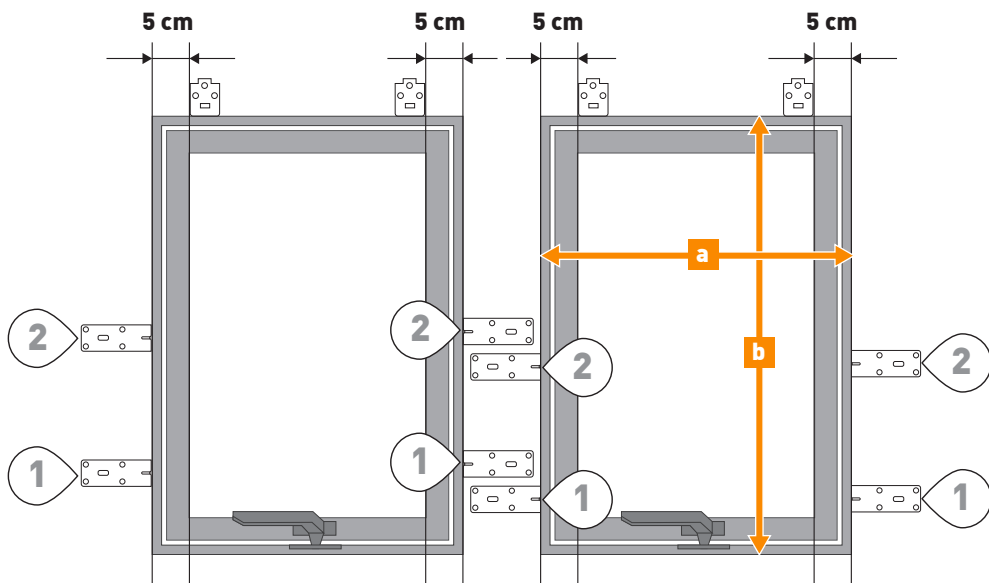
$X \geq 130 \text{ mm}$

03



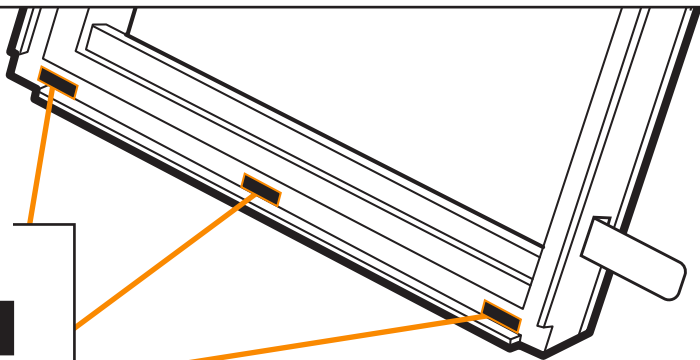
04

2  $b \geq 1398$  mm



05

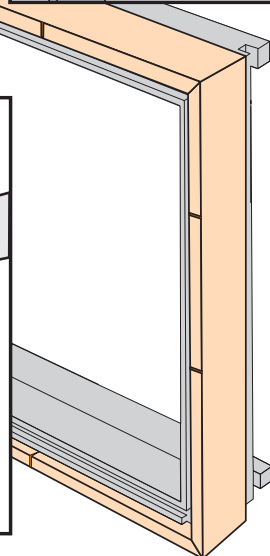
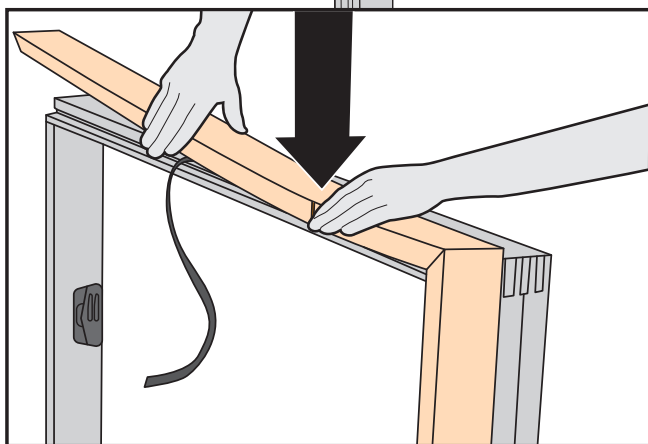
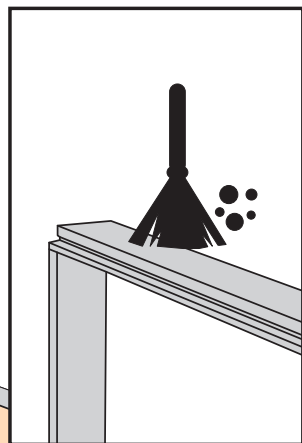
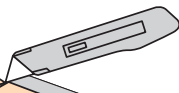
x3




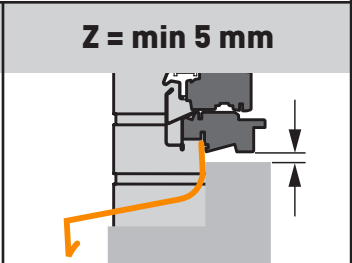
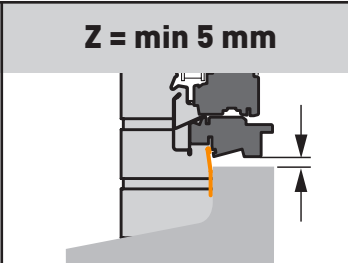
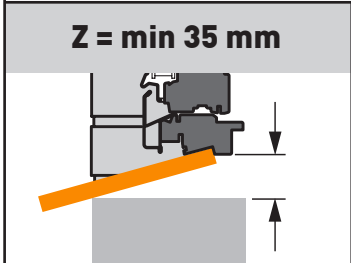
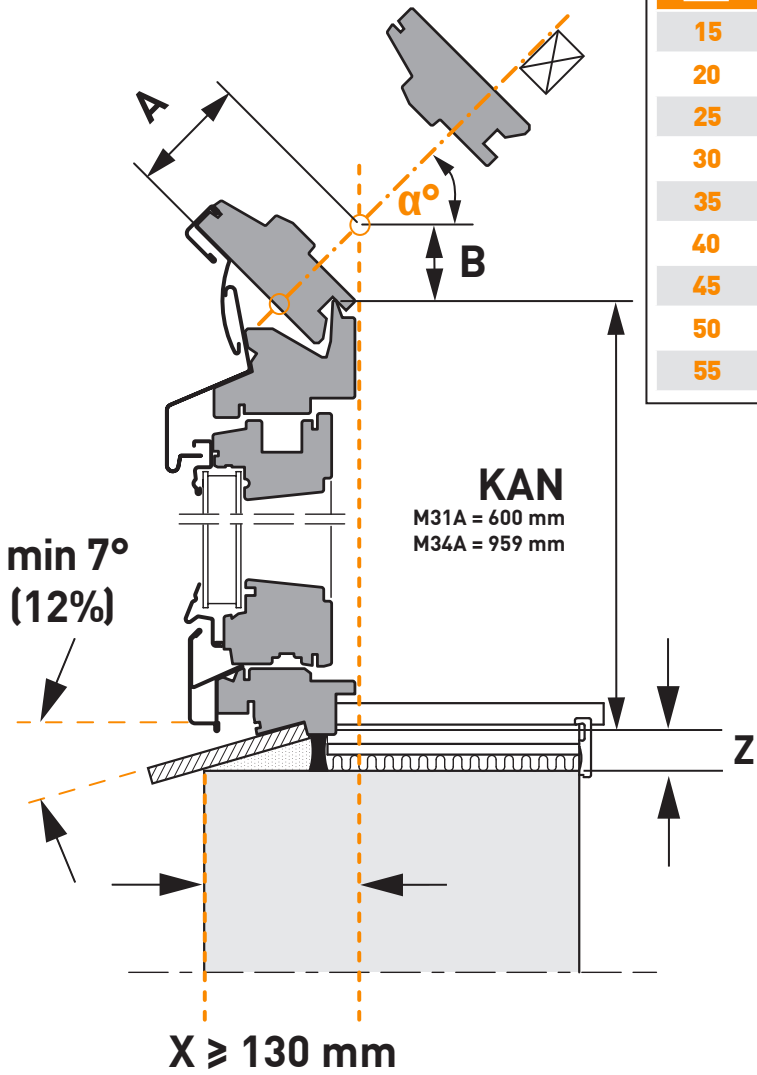
06



IFC

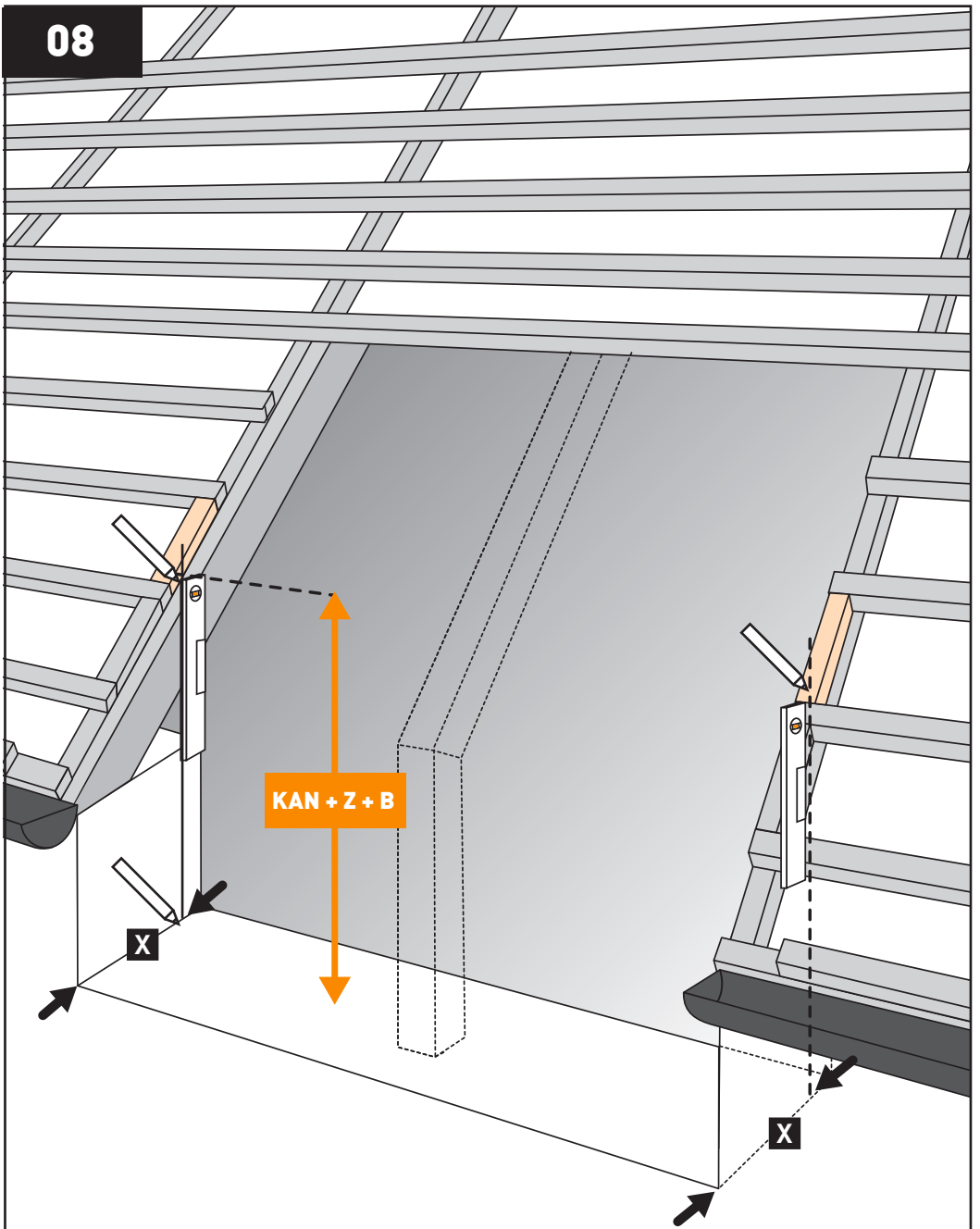


 $\alpha^\circ$	A (mm)	B (mm)
15	45	35
20	50	35
25	55	40
30	60	40
35	65	45
40	70	50
45	75	55
50	85	65
55	95	70



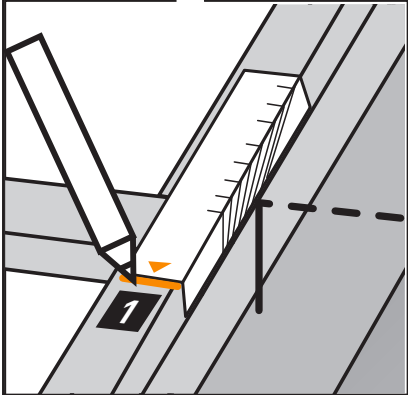
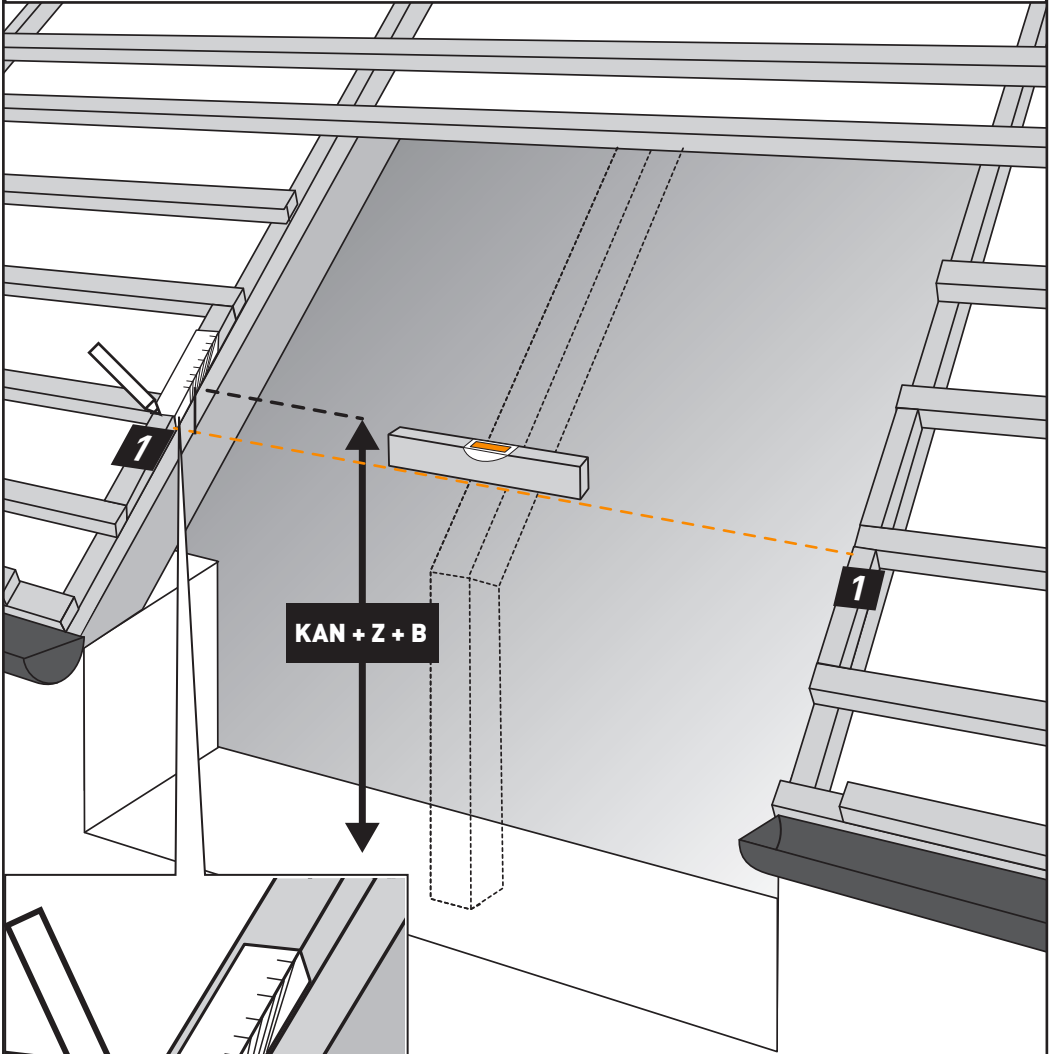
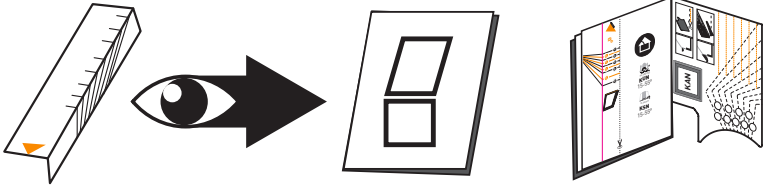


08

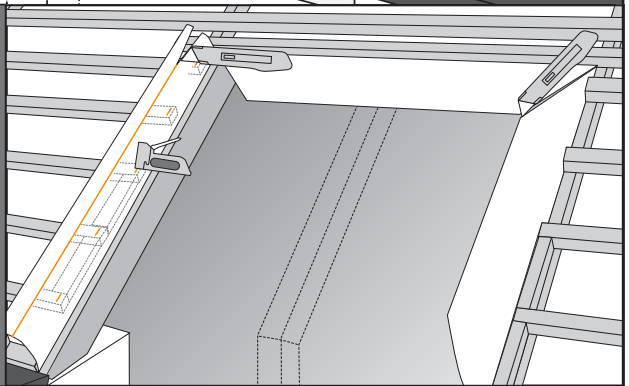
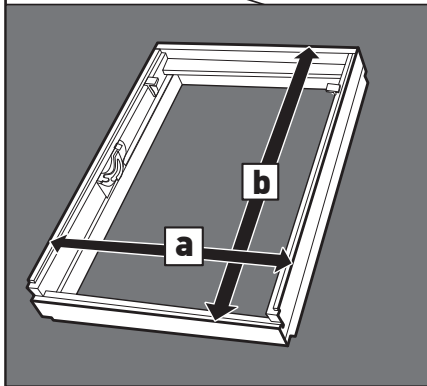
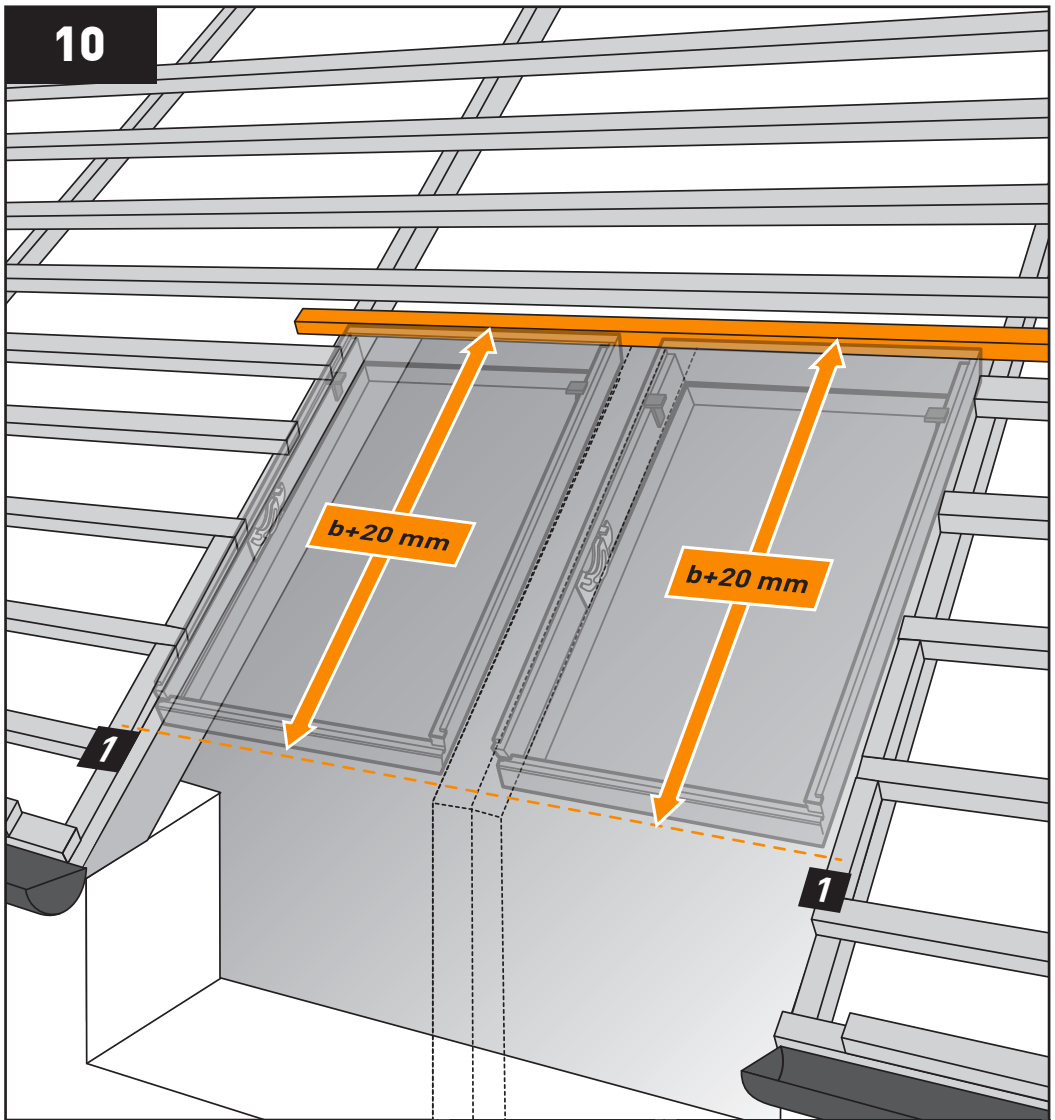


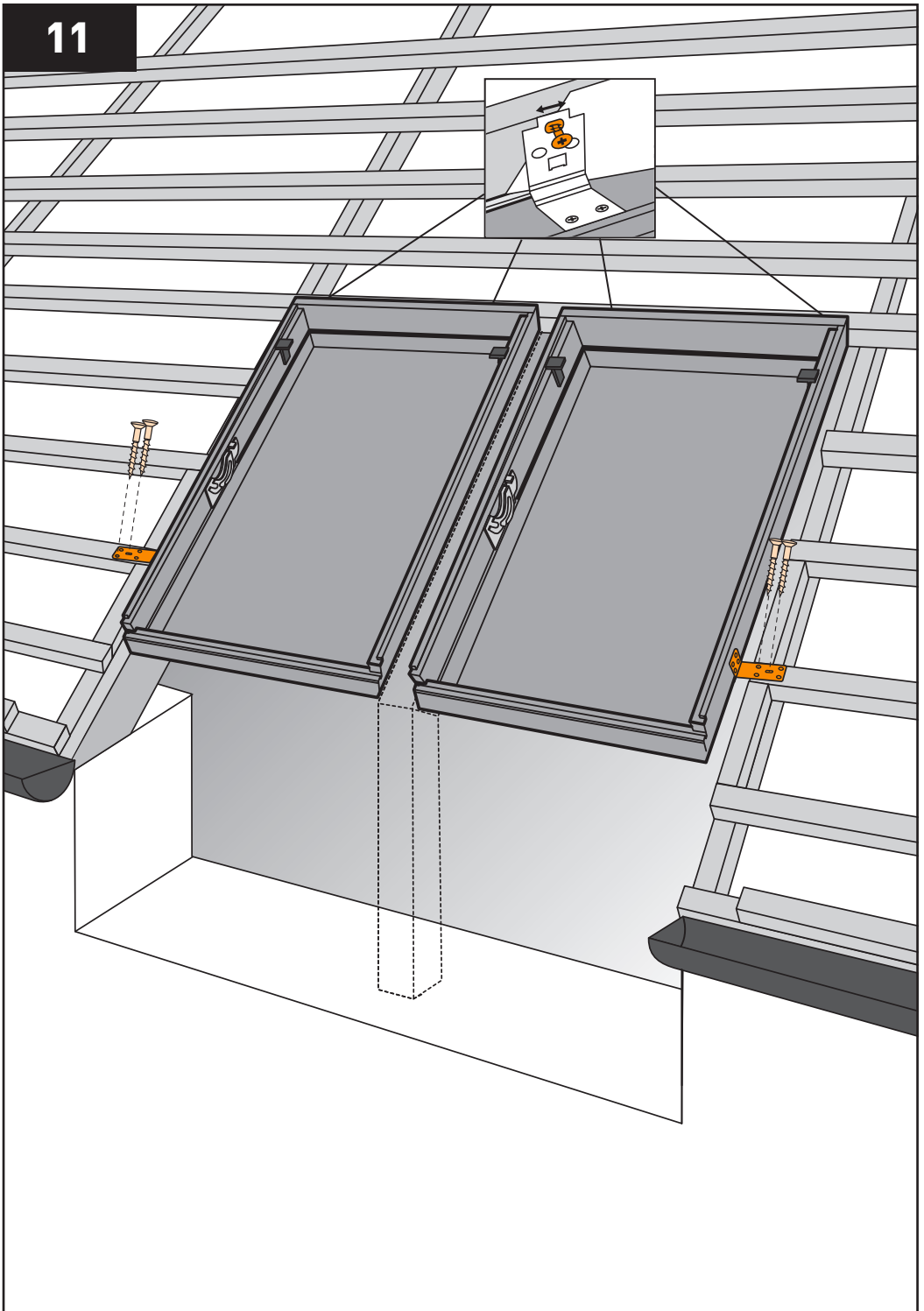
$X \geq 130 \text{ mm}$

09

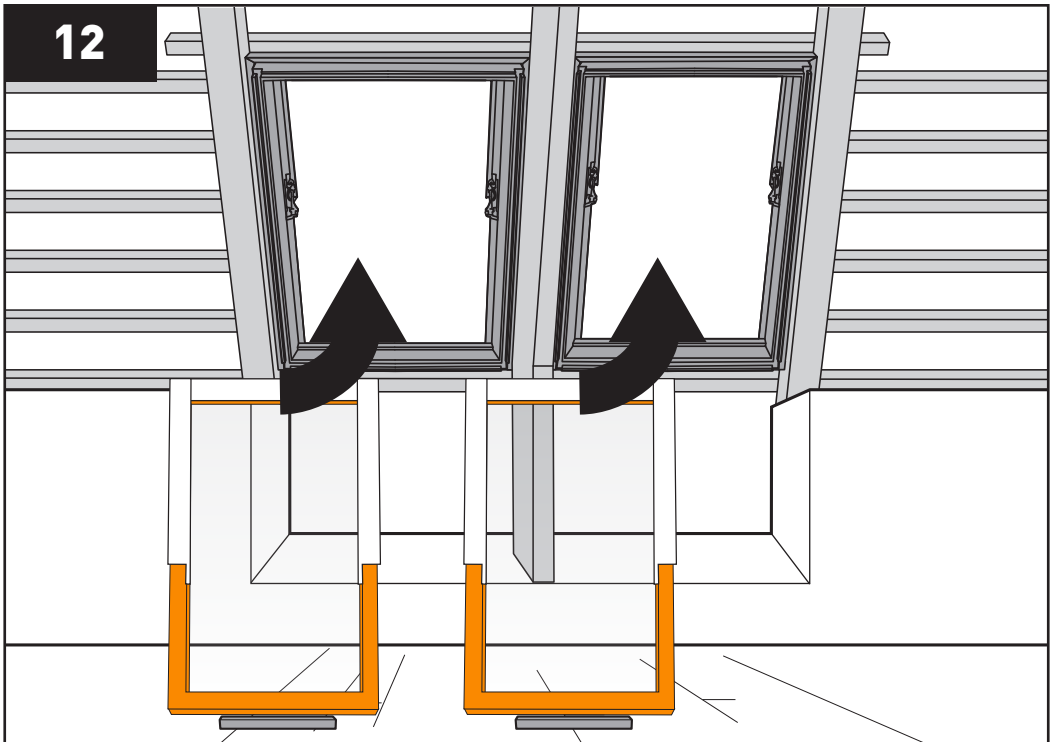


10

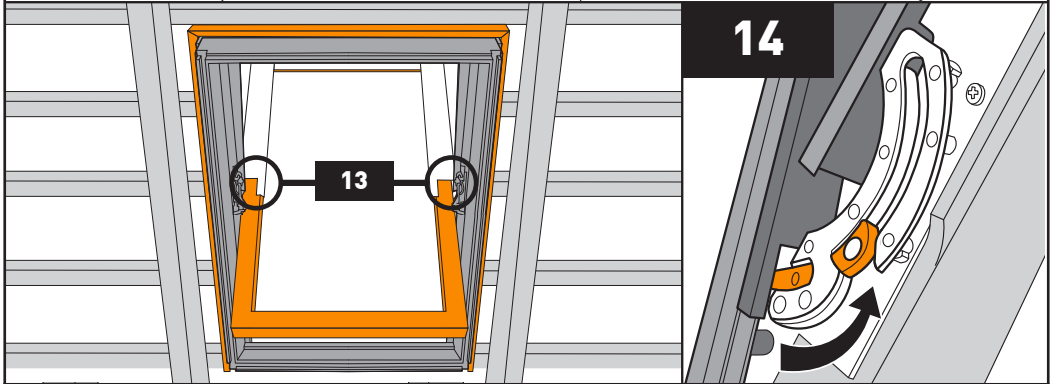




12



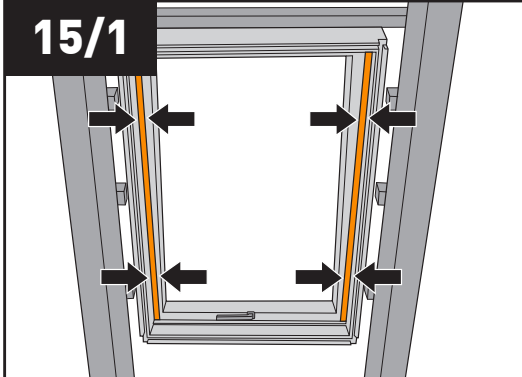
14



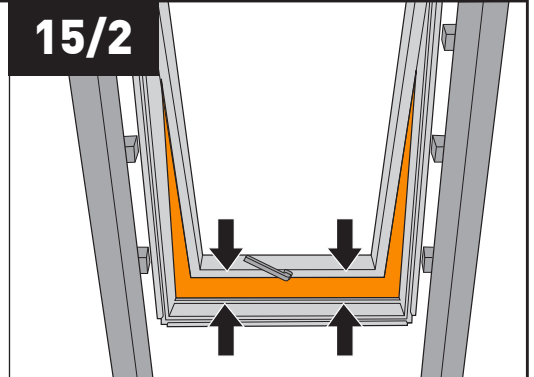
13



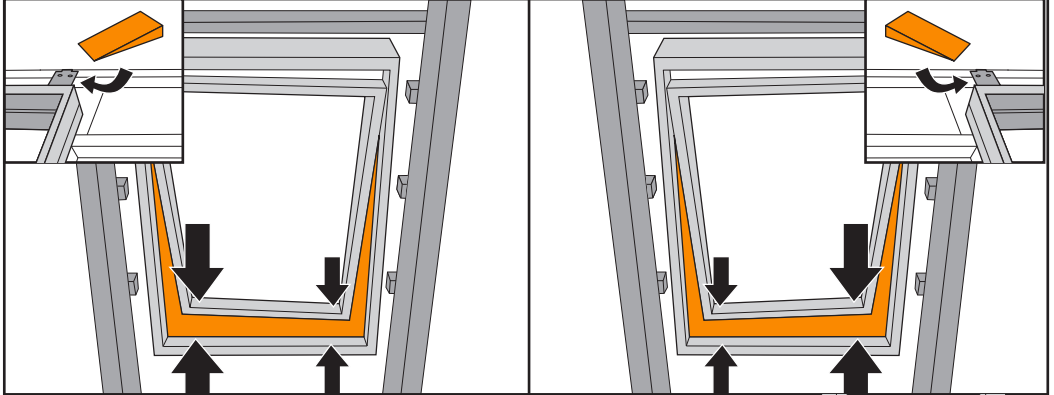
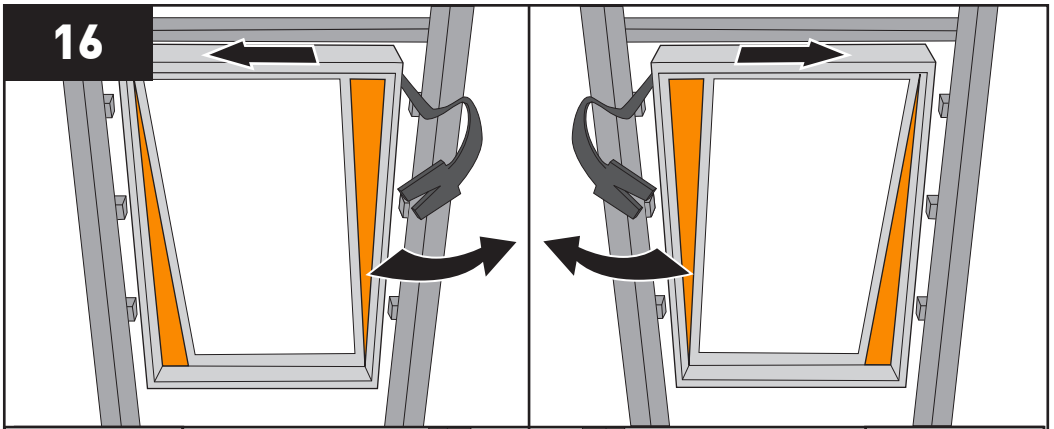
15/1



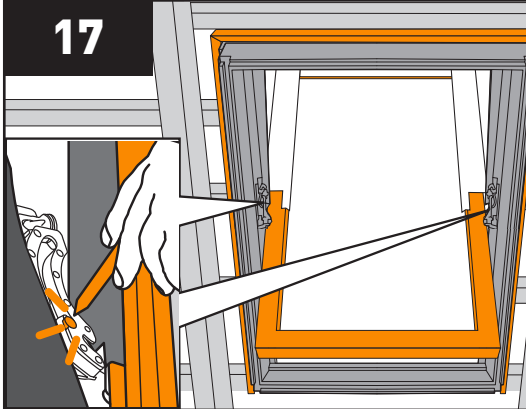
15/2



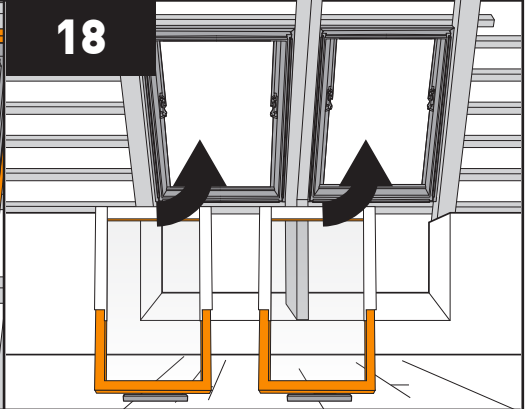
16



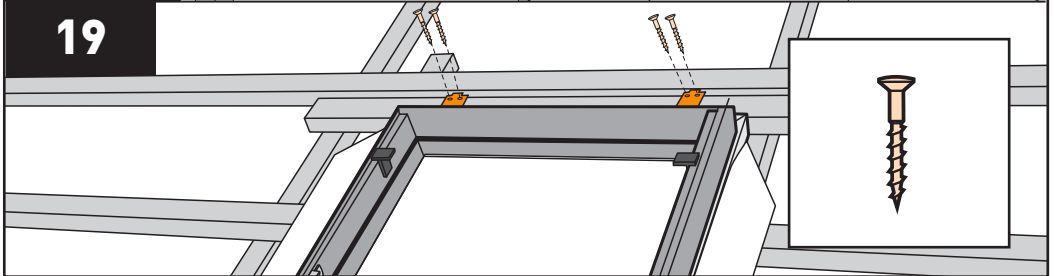
17



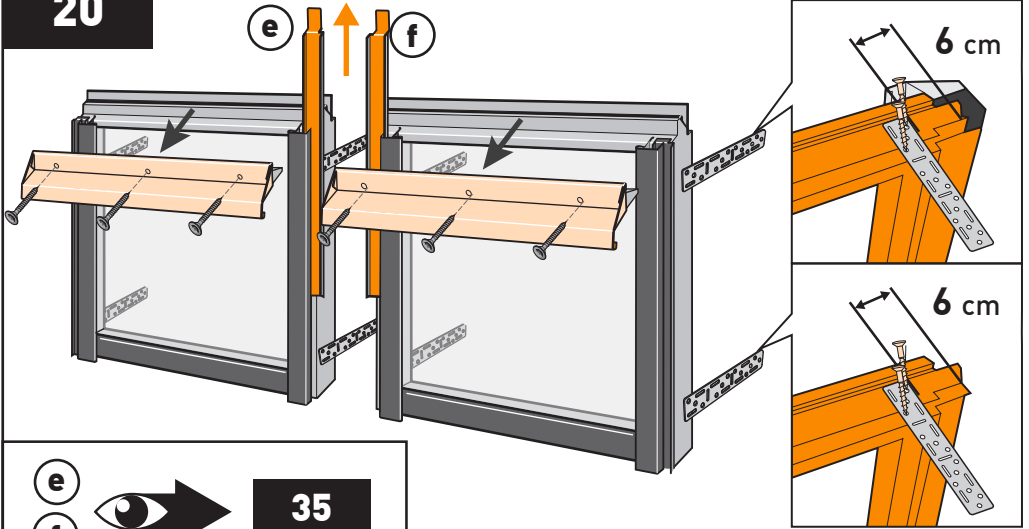
18



19



20



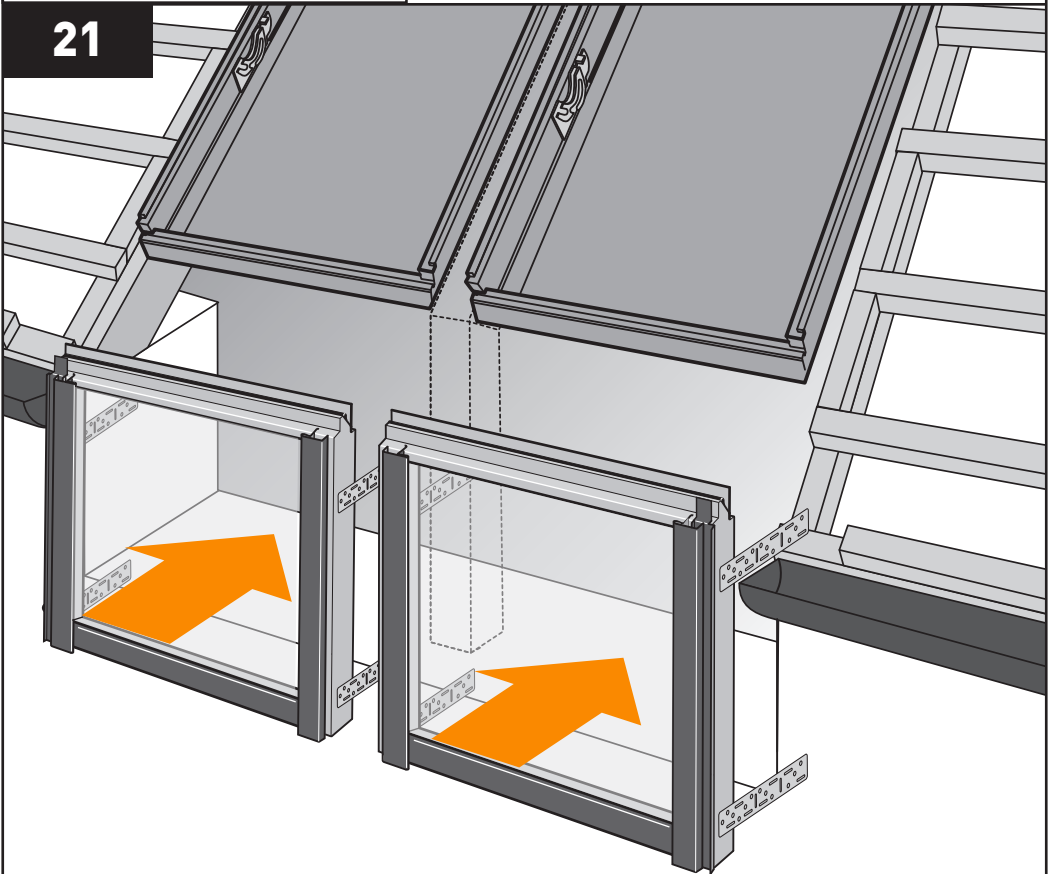
e

f

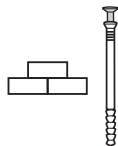
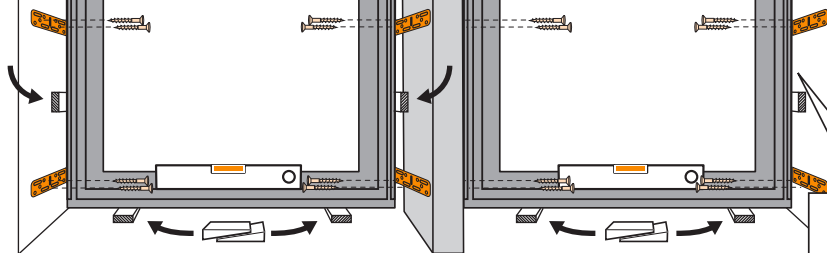


35

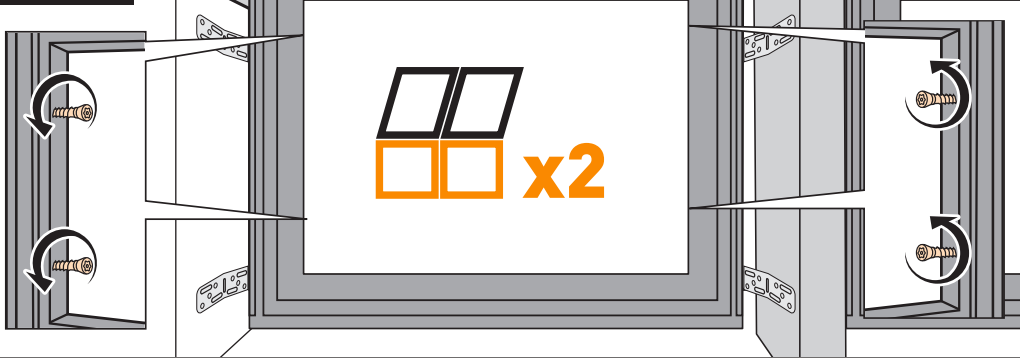
21



22



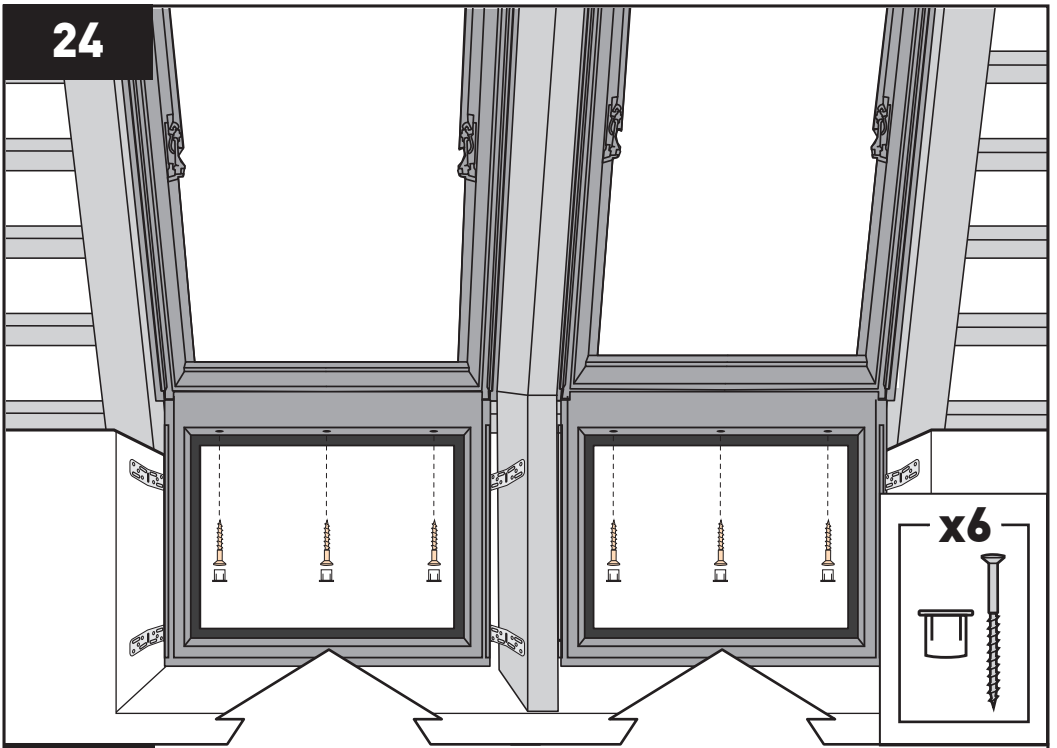
23



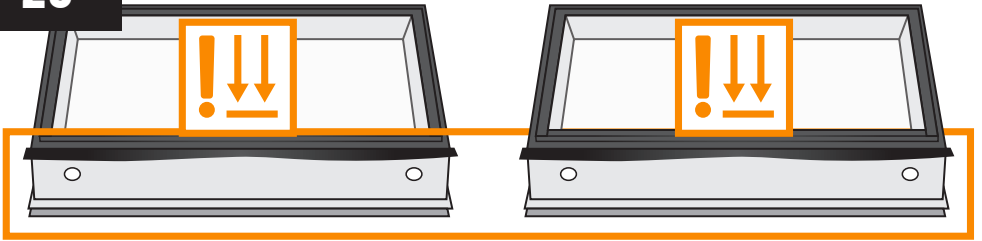
  
 x2



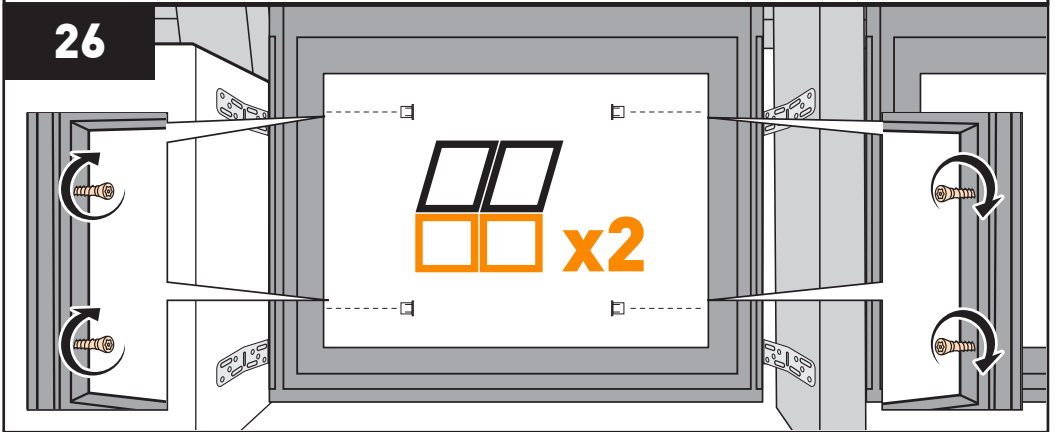
24



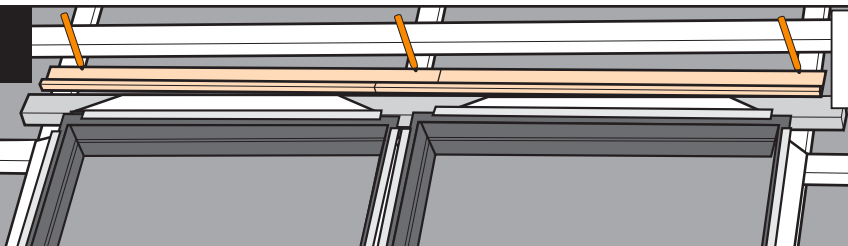
25



26

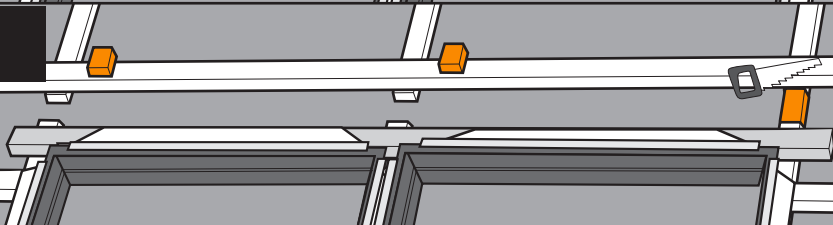


27

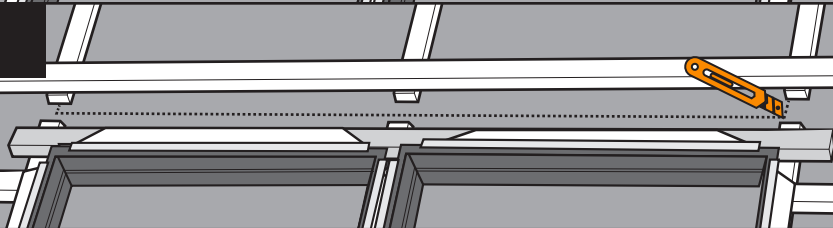


min  
3%

28



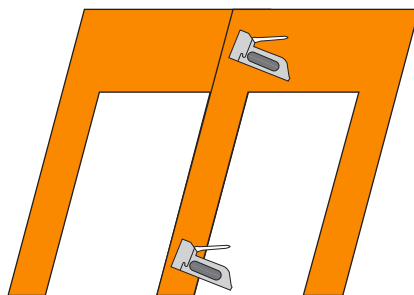
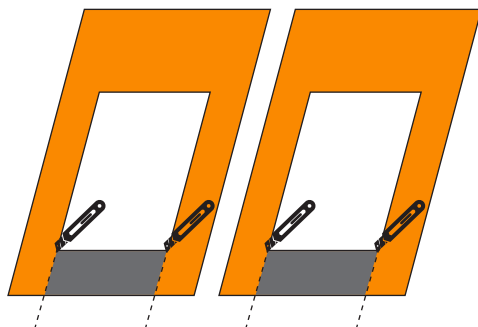
29



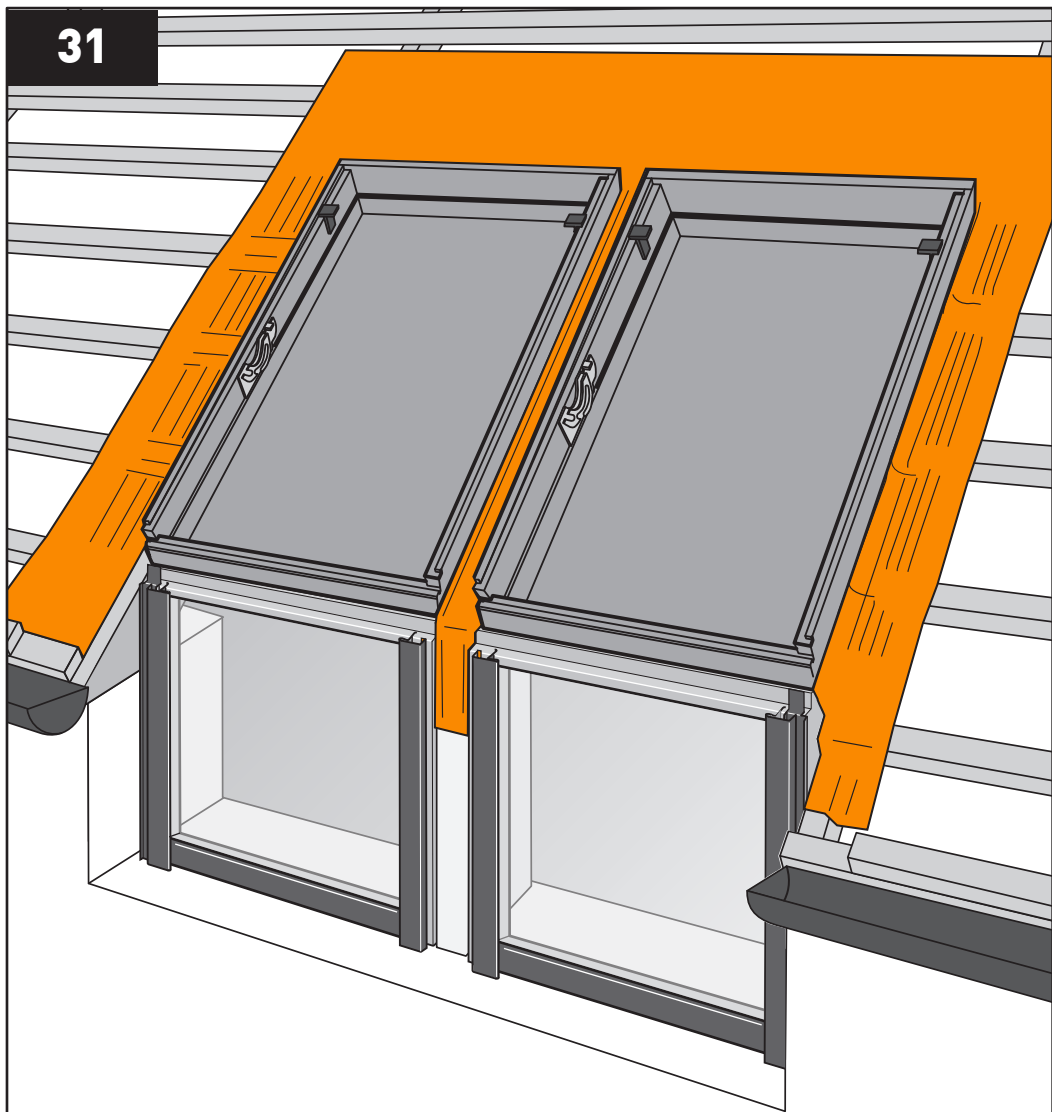
30



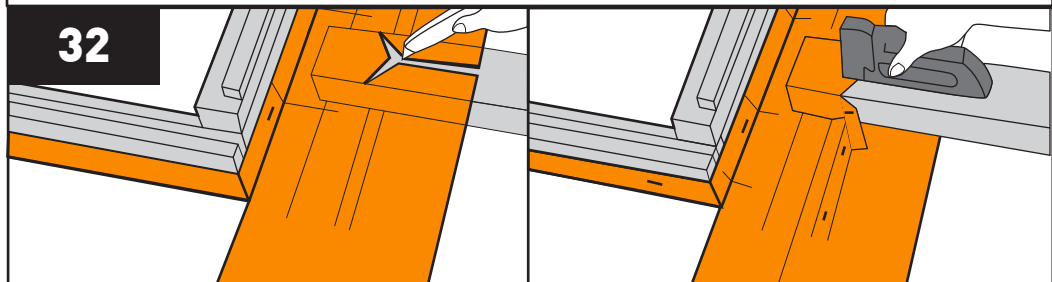
RUC



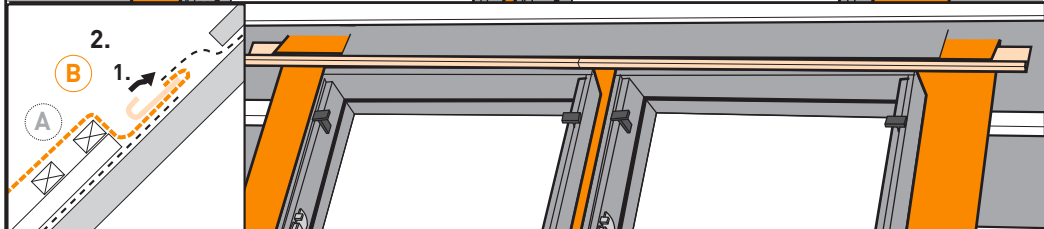
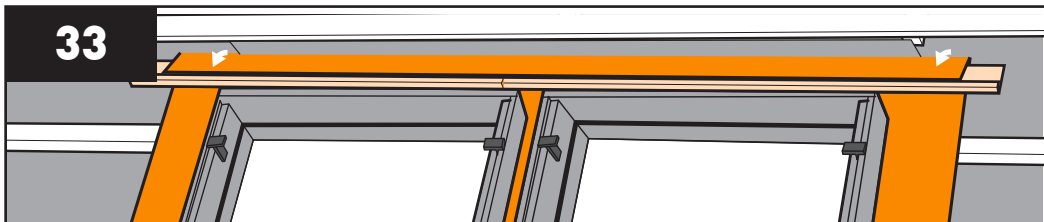
31



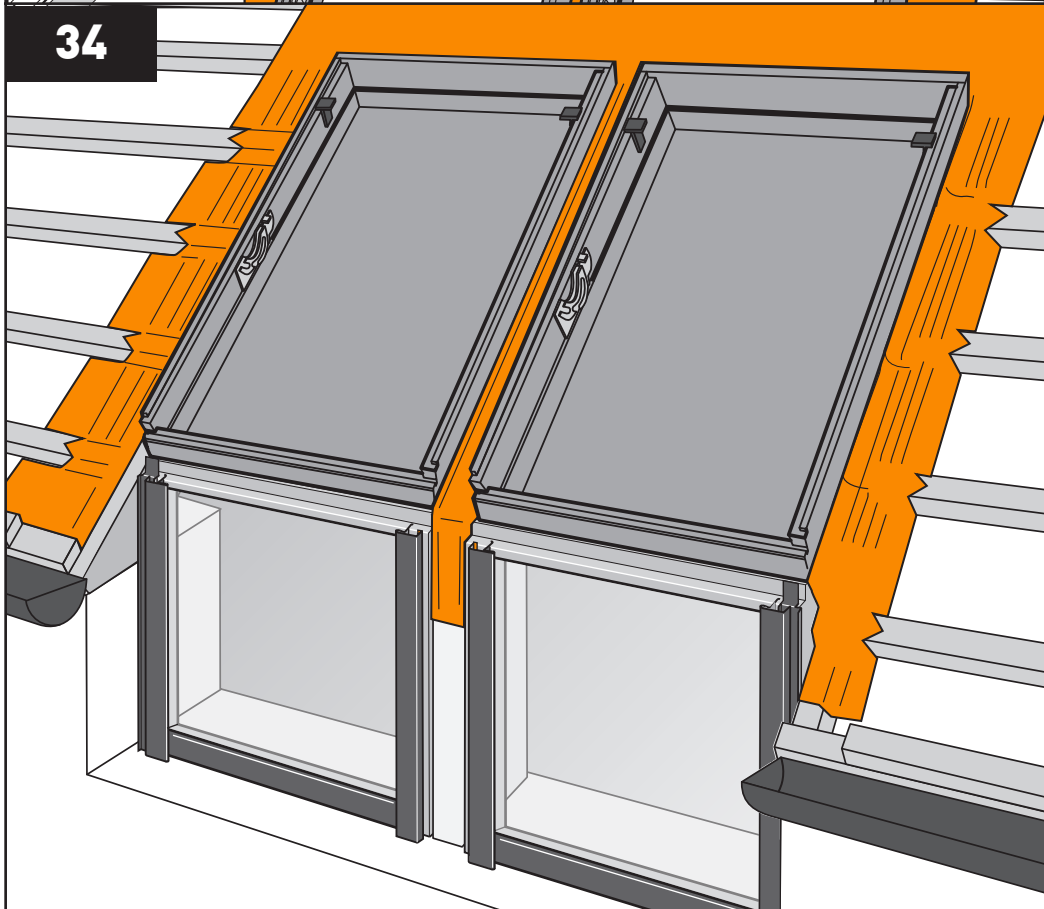
32



33



34

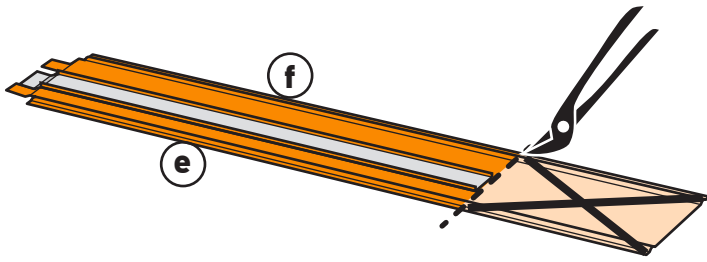


**UBN**

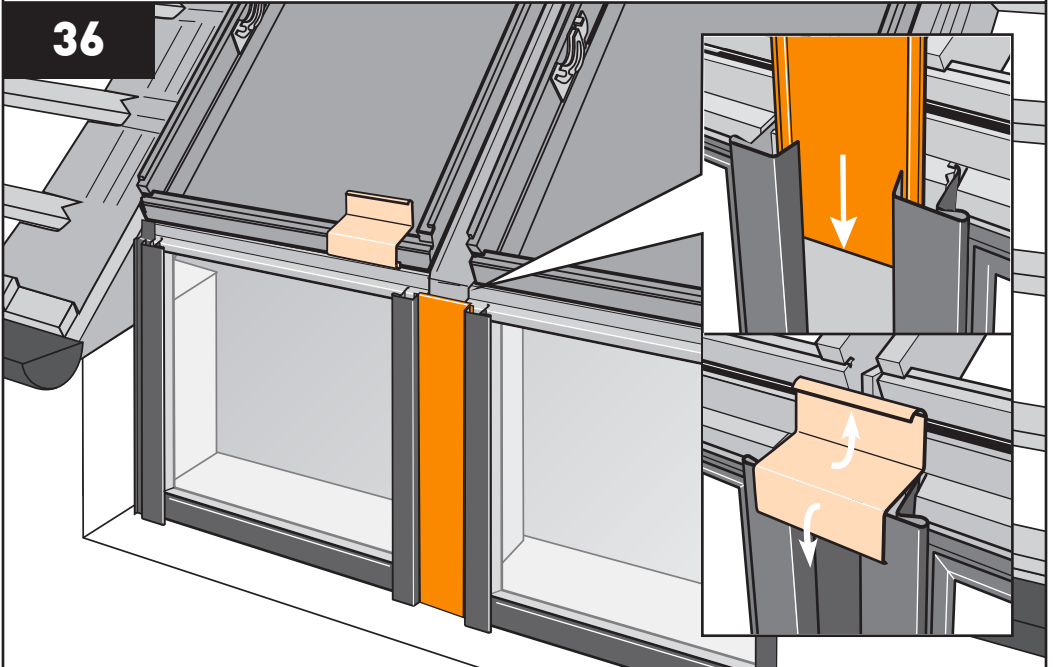


**SBN**

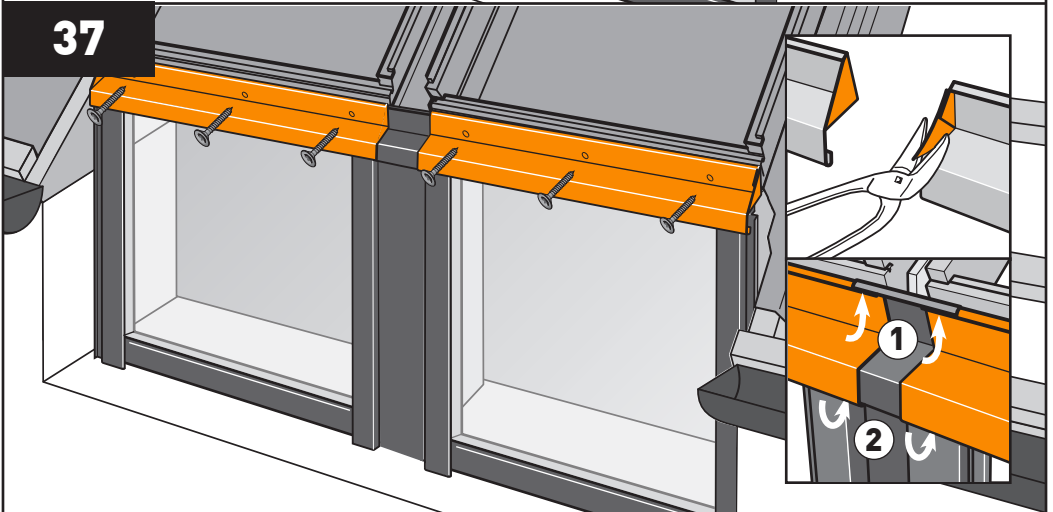
35

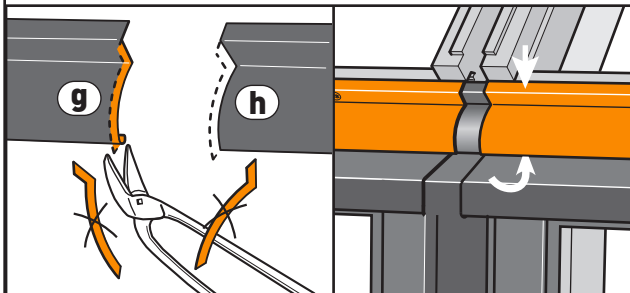
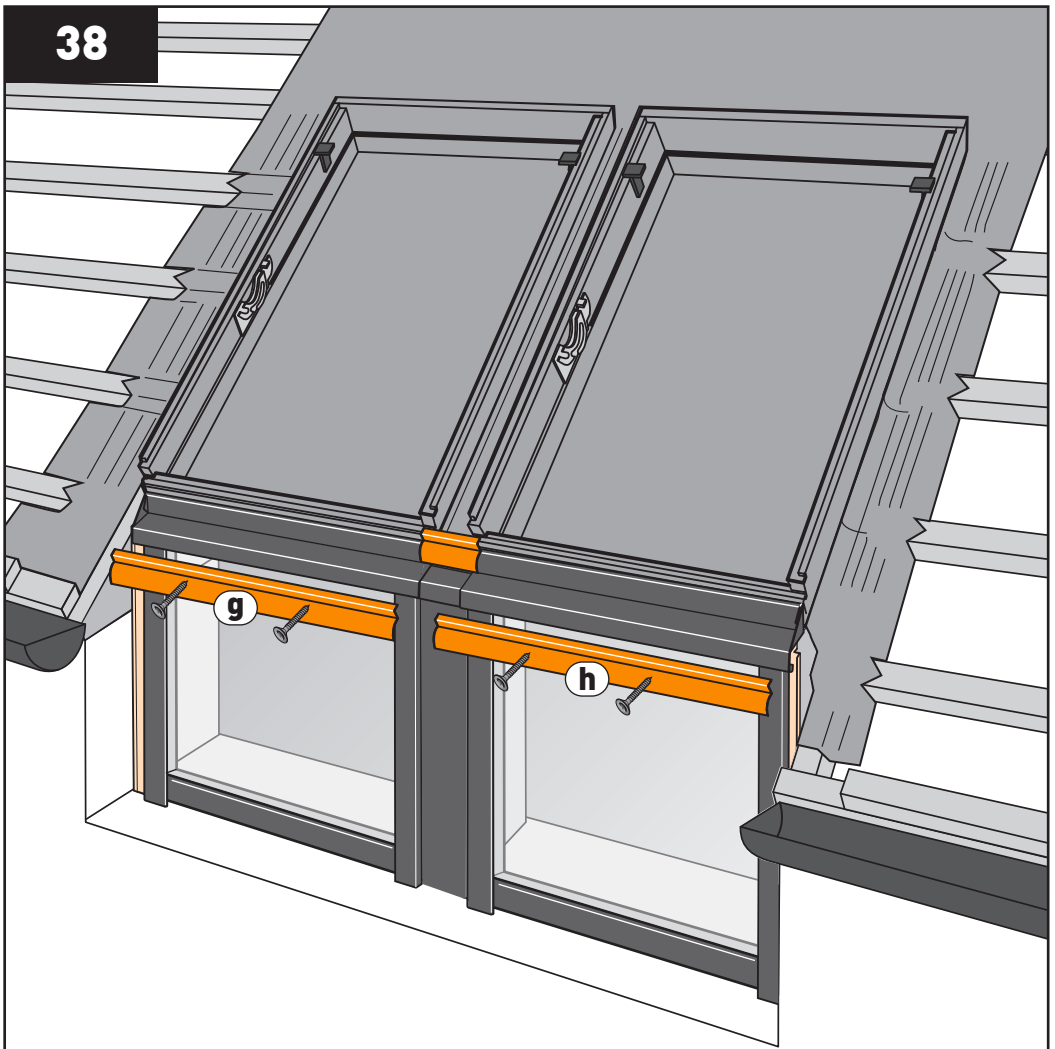


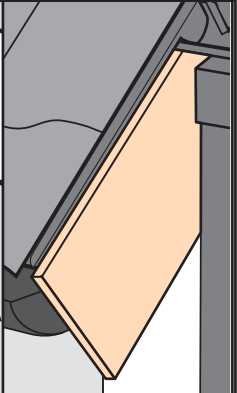
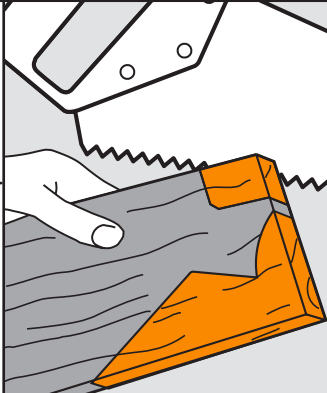
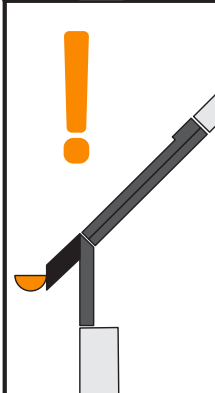
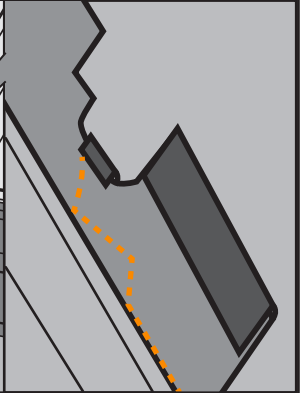
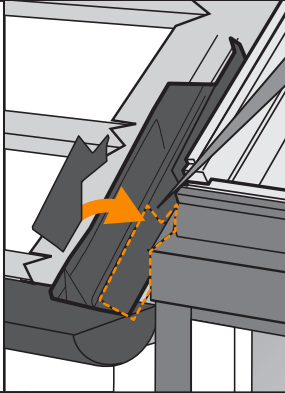
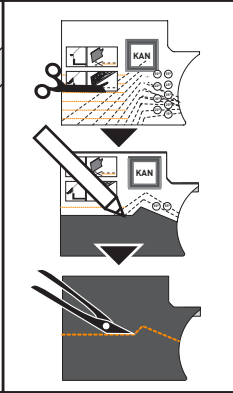
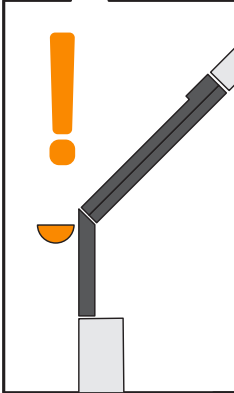
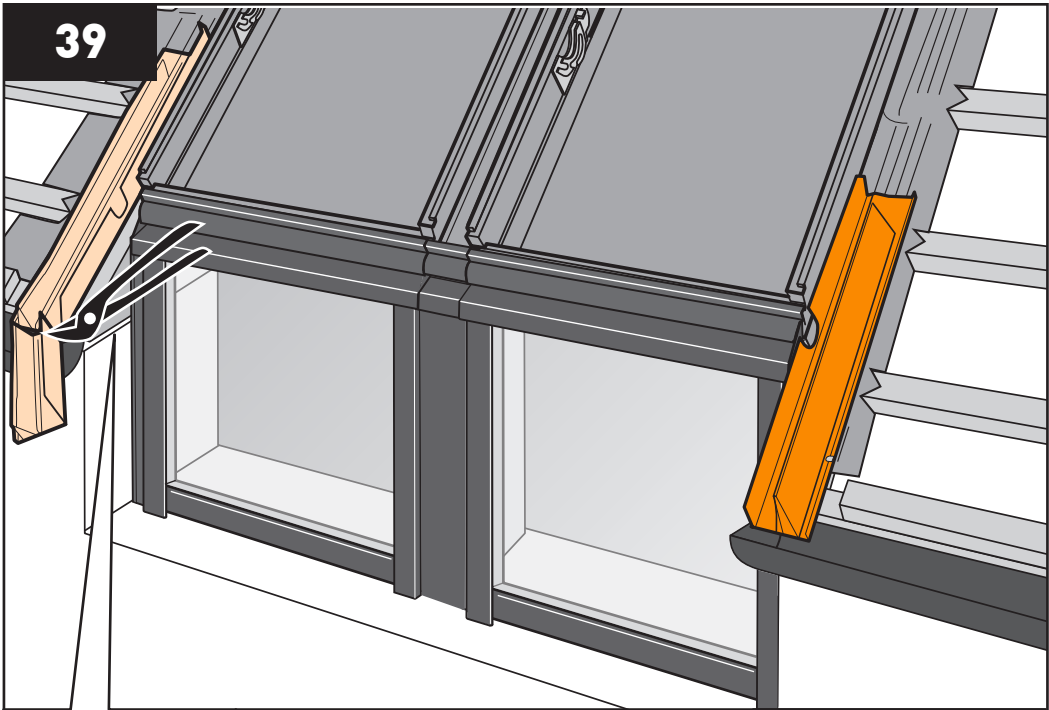
36

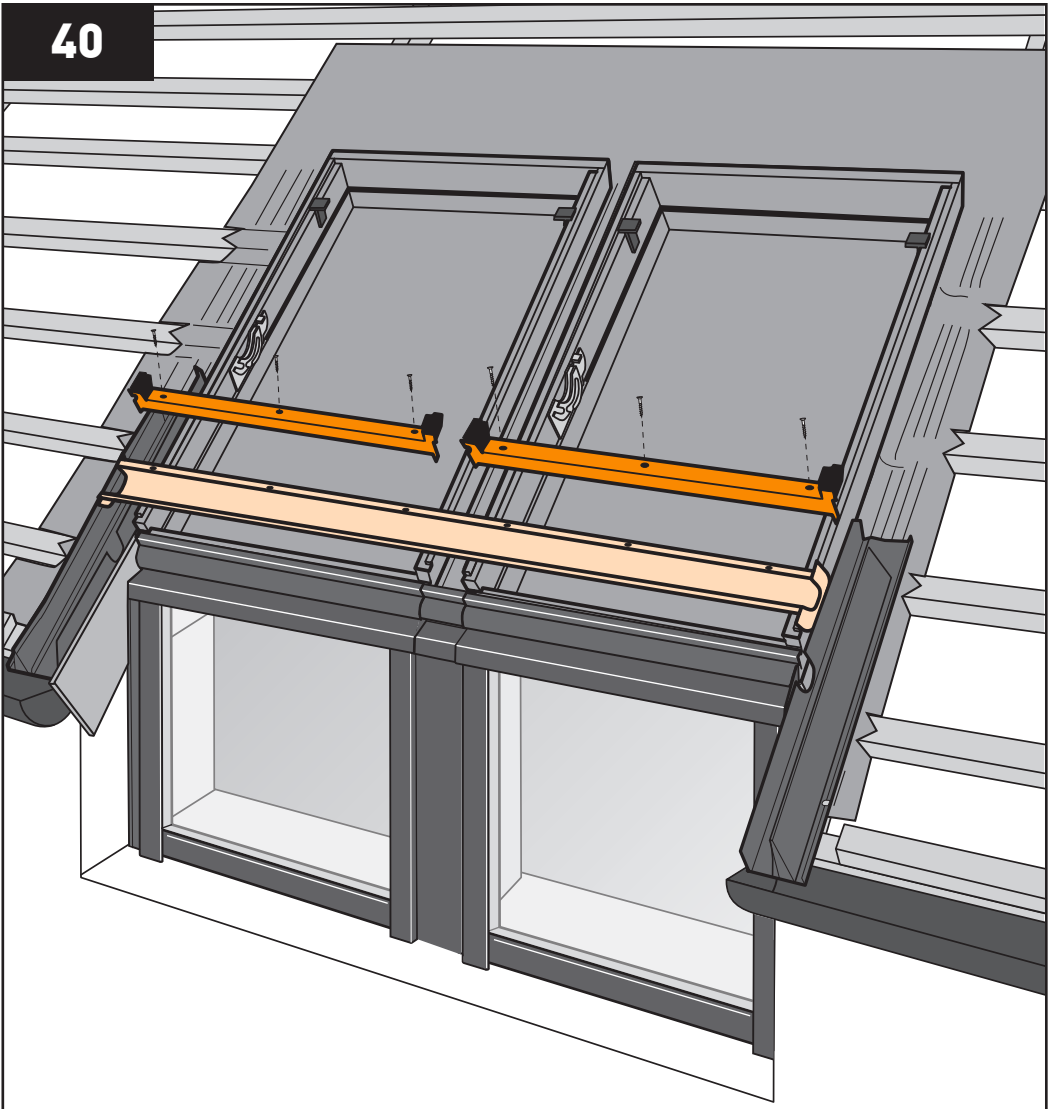


37

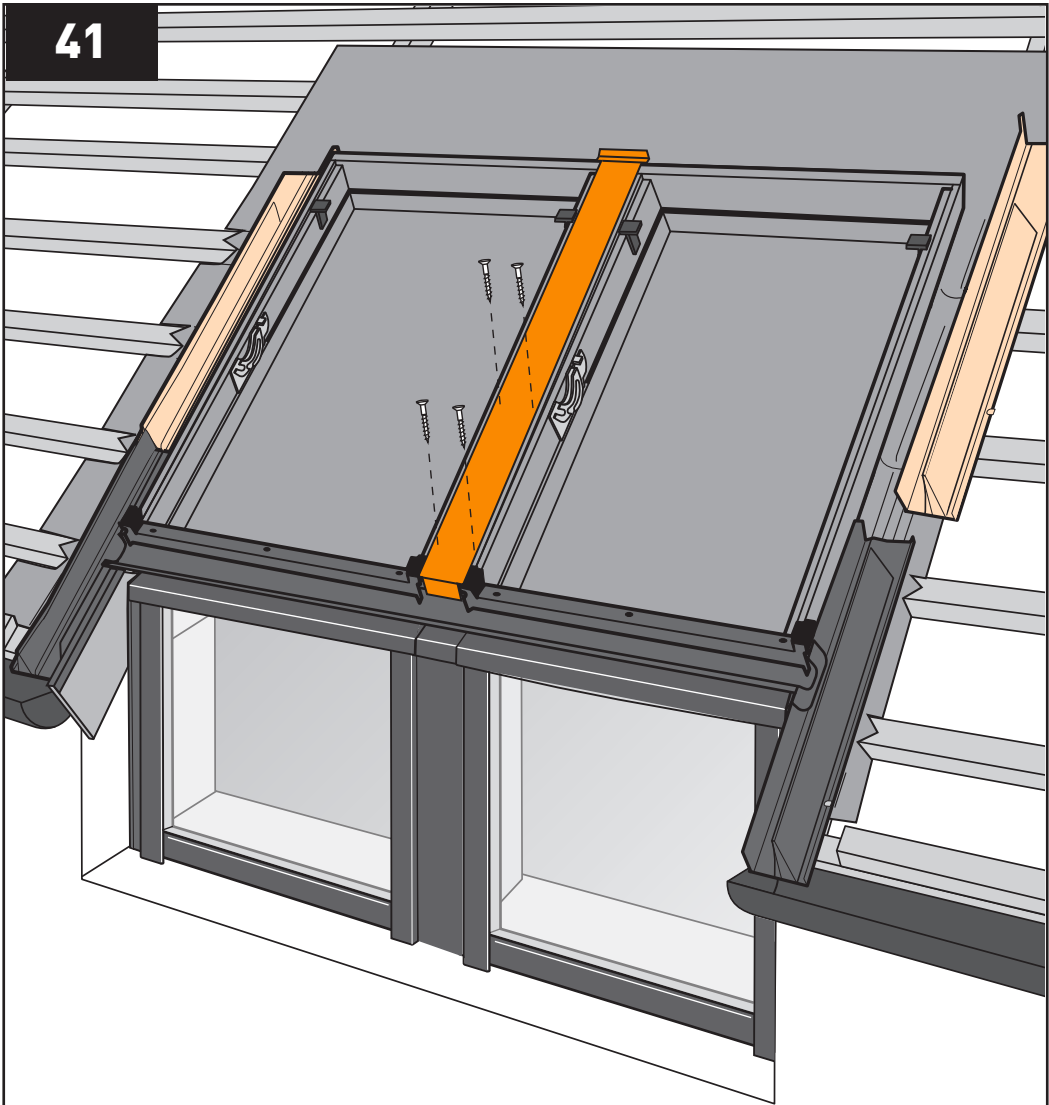


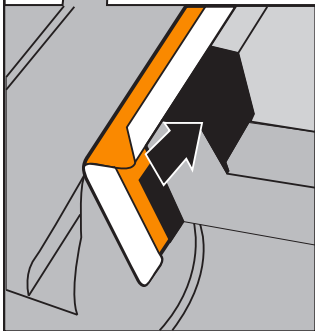
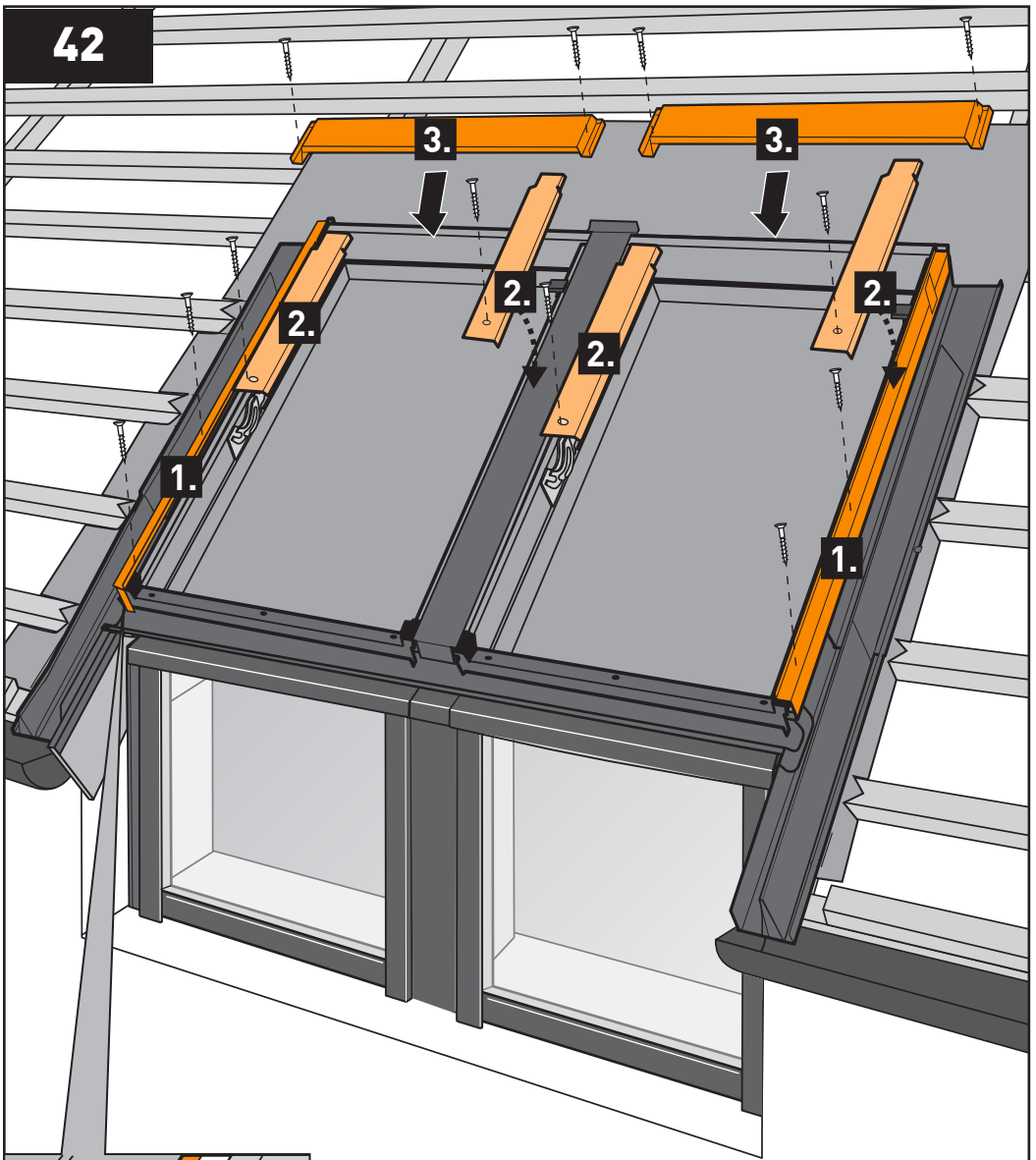


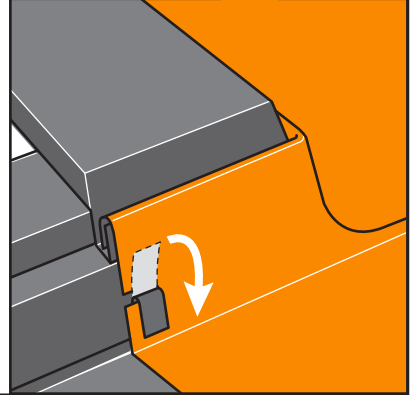
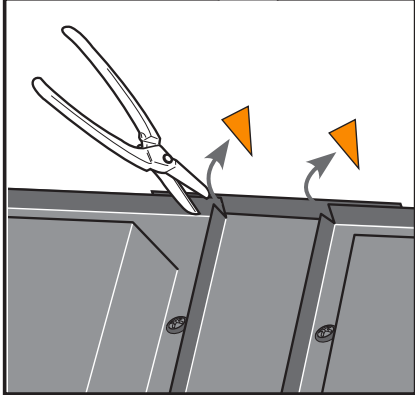
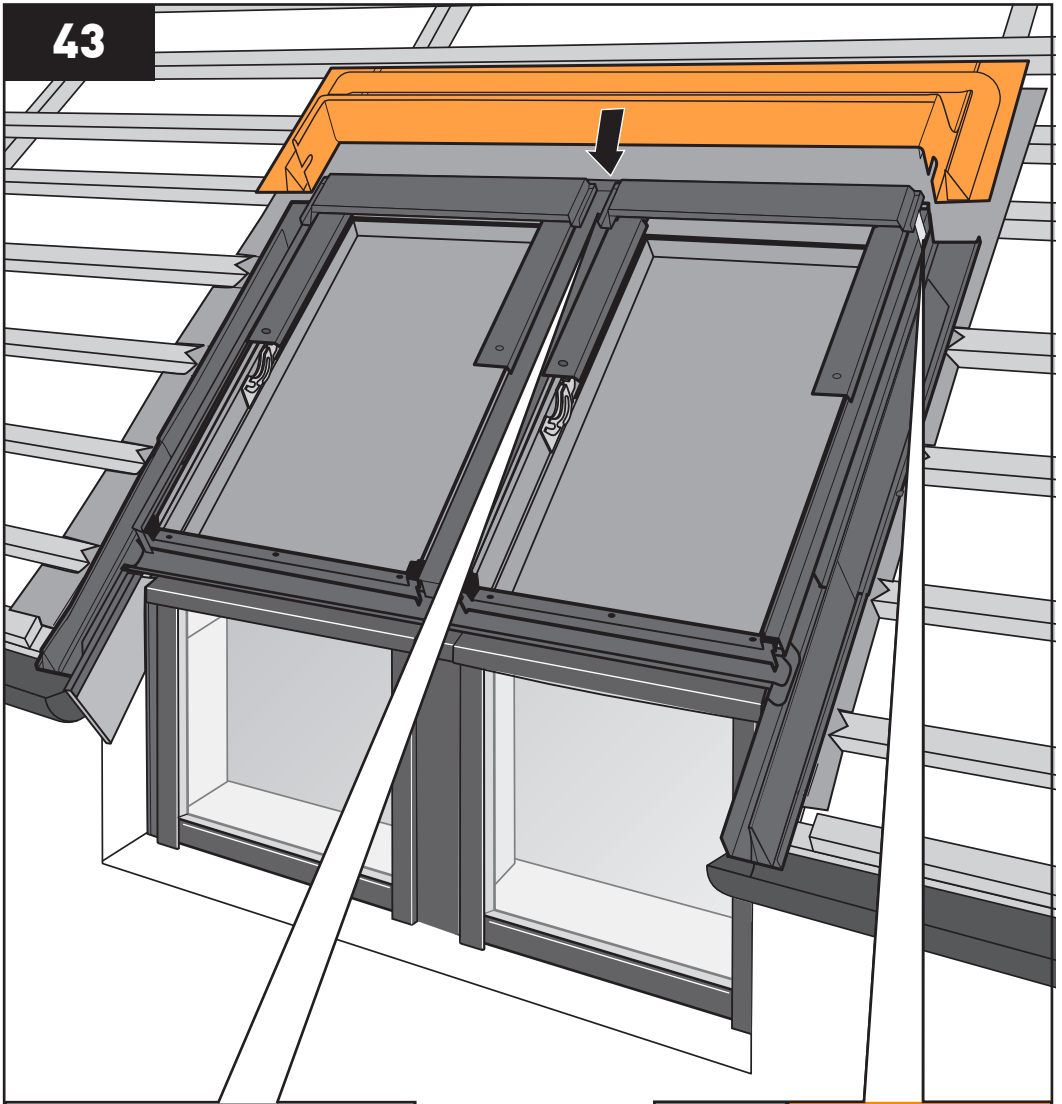








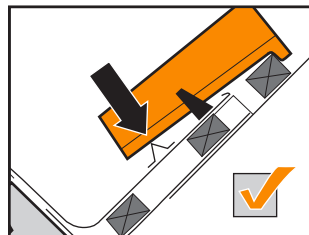
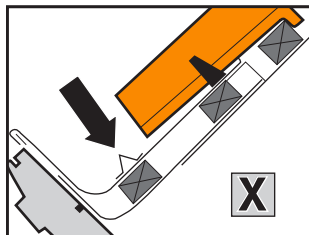
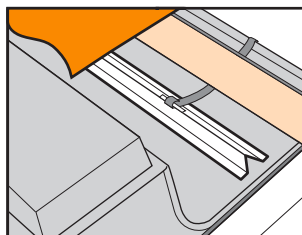
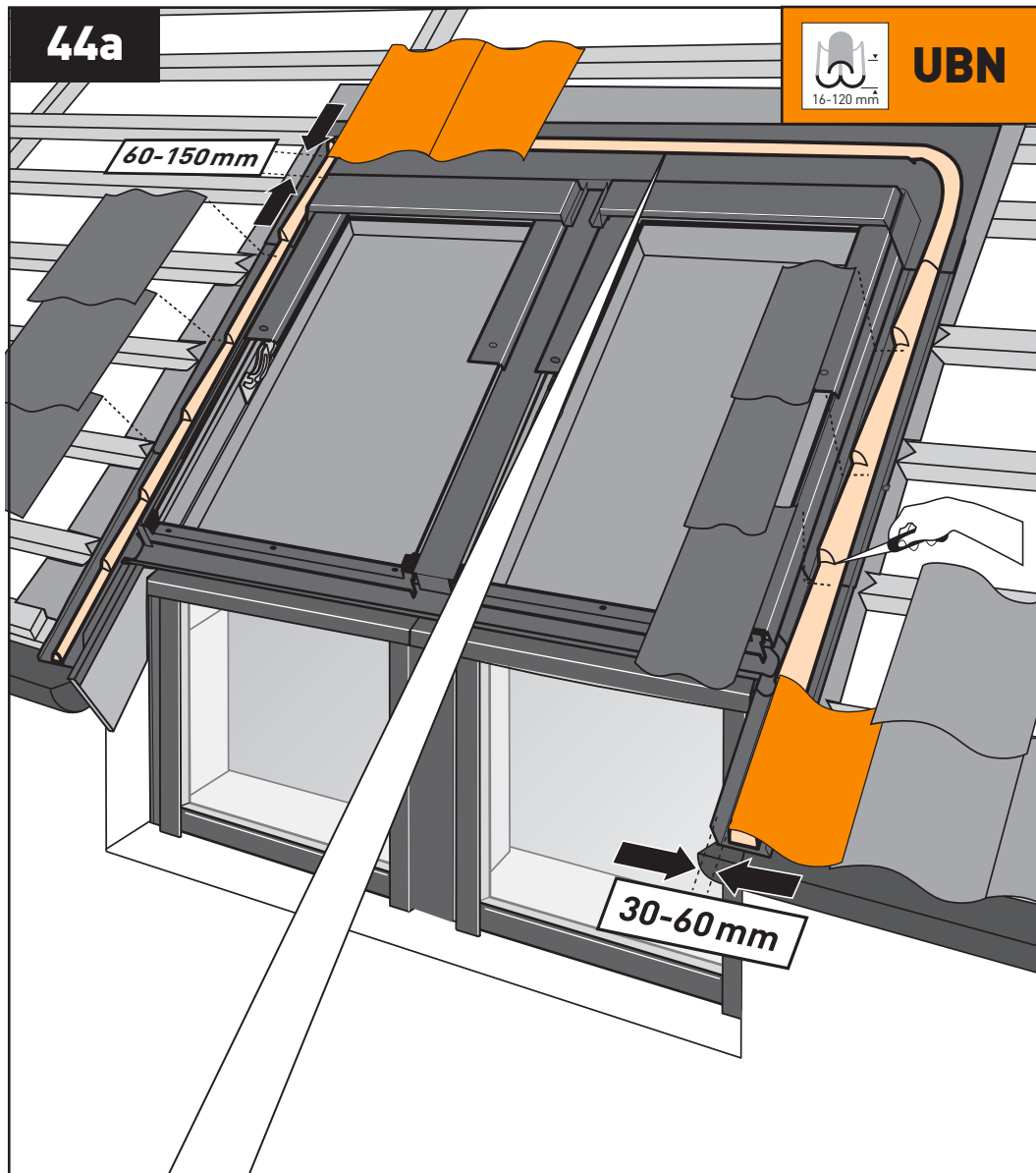




44a



UBN



45a



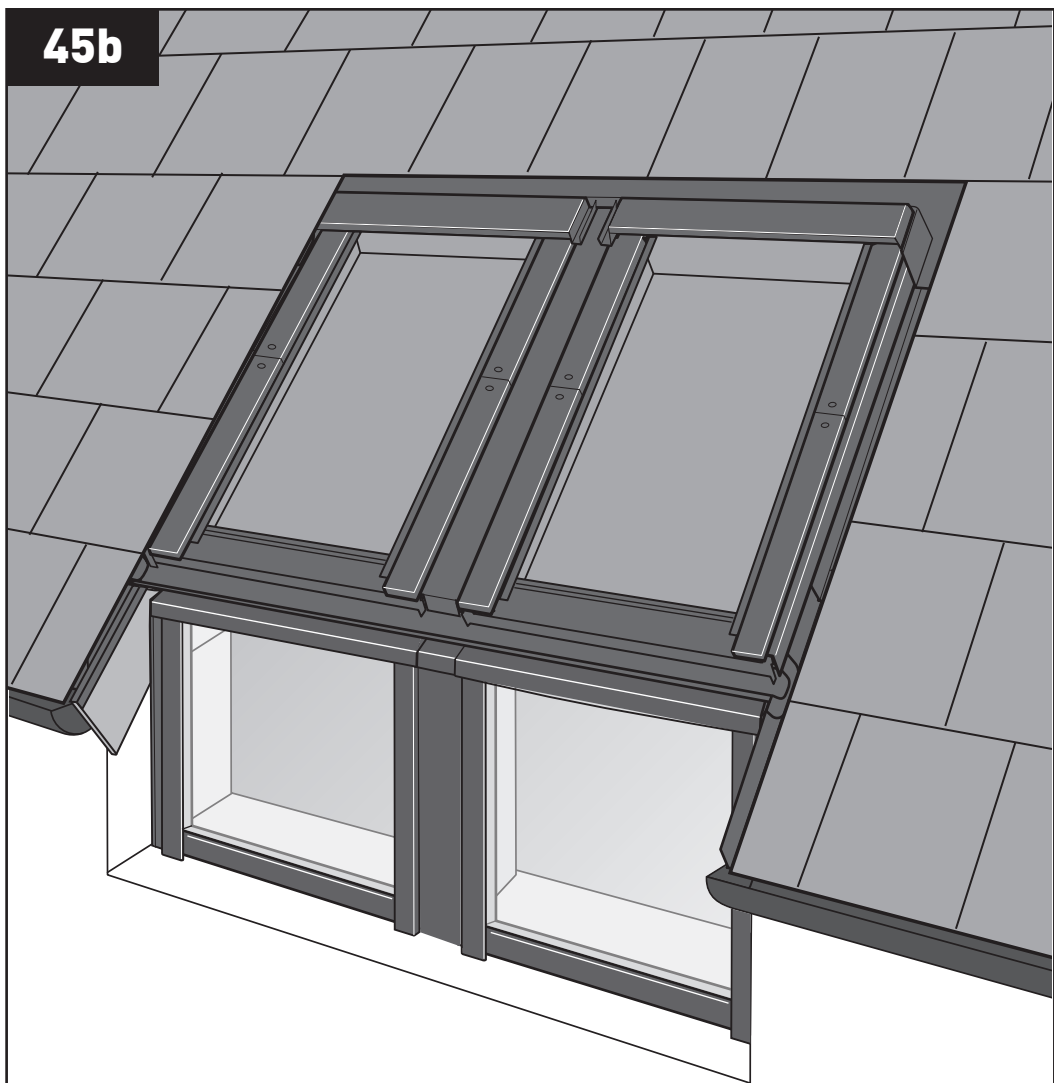
44b



SBN



45b





16-120 mm

**UBN**

15-55°



0-16 mm

**SBN**

15-55°