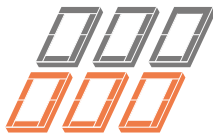


# UCX



15°-90°

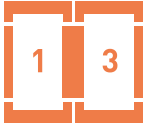


16-120 mm





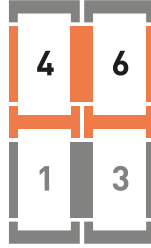
## Pack 13



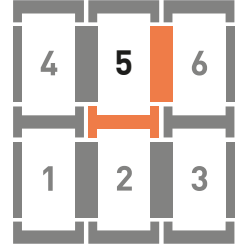
## Pack 2



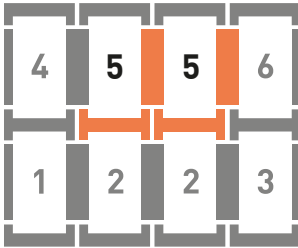
## Pack 46



## Pack 5



## Pack 5



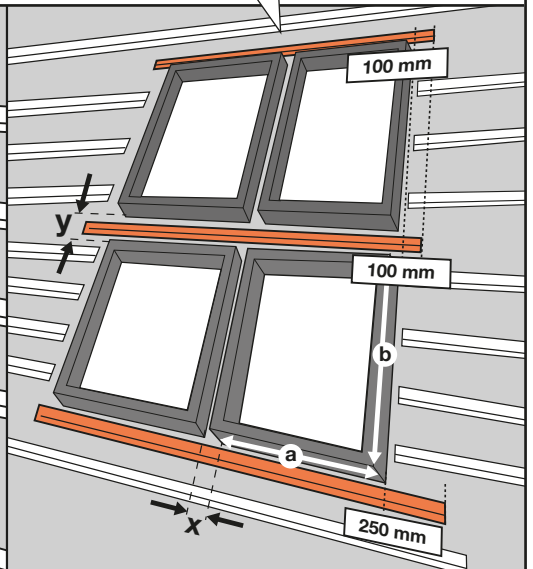
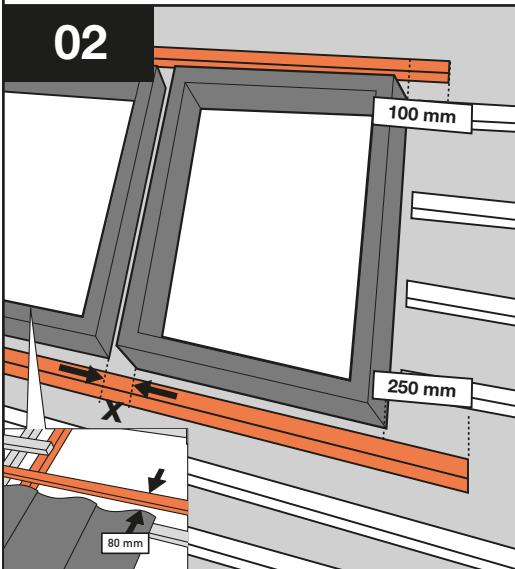
x = 100 mm:    x = 120 mm:    x = 140 mm:

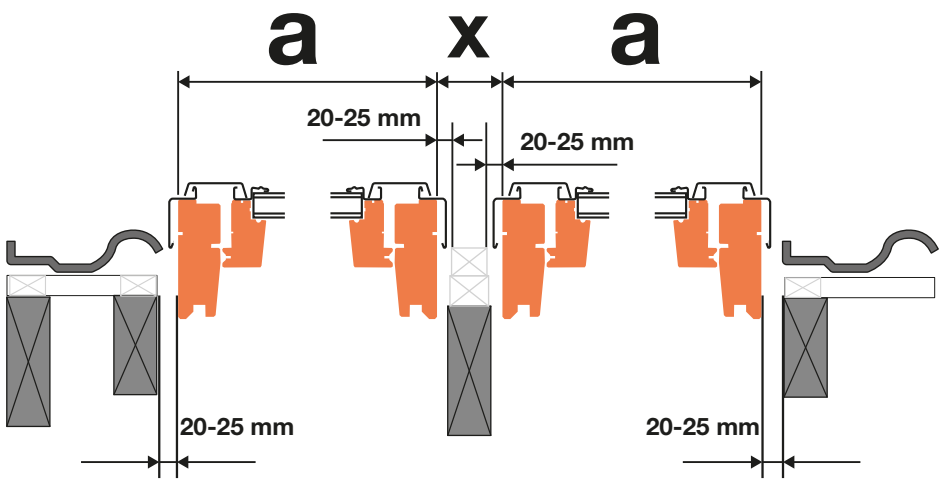
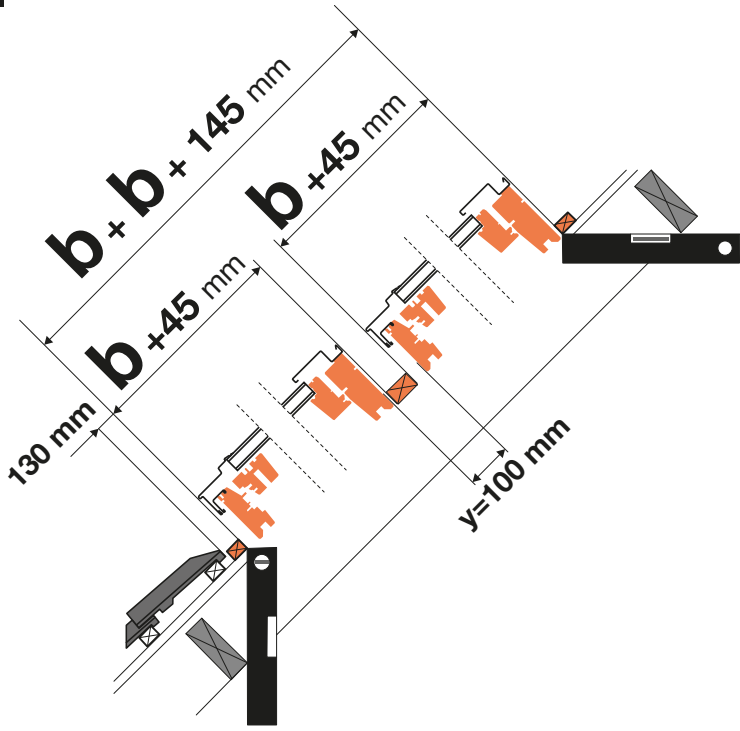
UCX ...13E,  
UCX ...2E,  
UCX ... 46EE,  
UCX ... 5EE

UCX ...13F,  
UCX ...2F,  
UCX ... 46FE,  
UCX ... 5FE

UCX ...13G,  
UCX ...2G,  
UCX ... 46GE,  
UCX ... 5GE

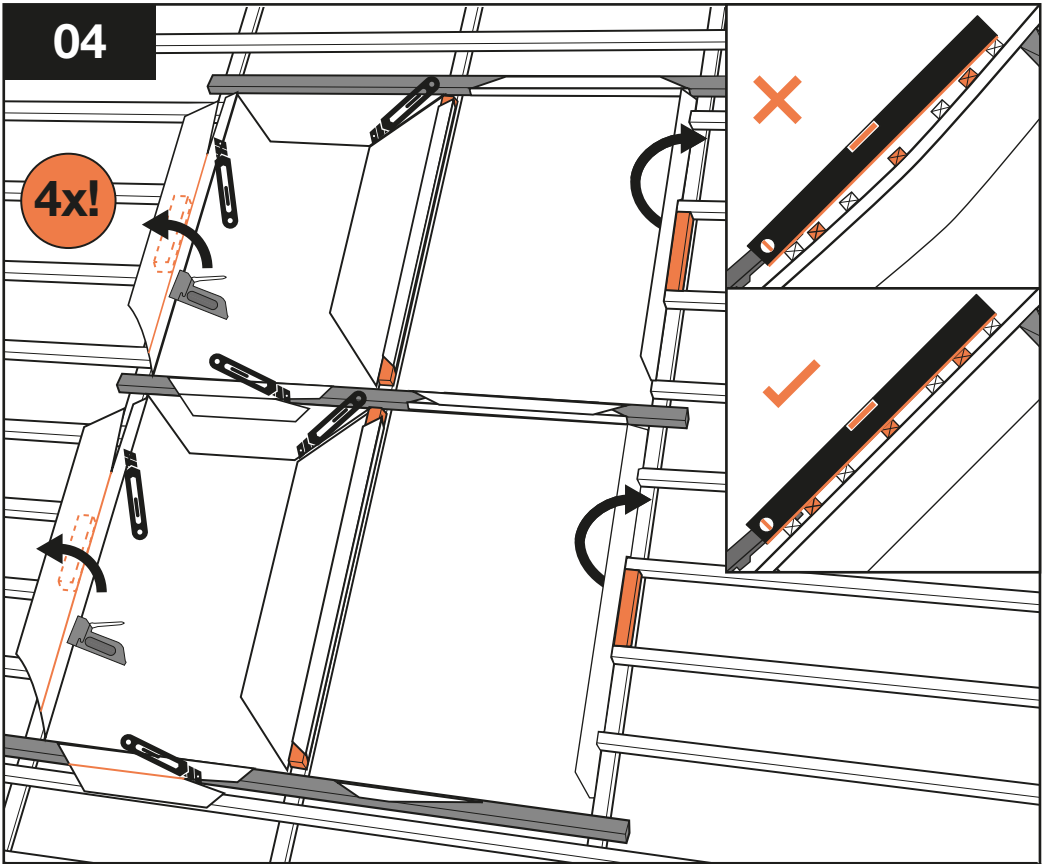
y = 100 mm





04

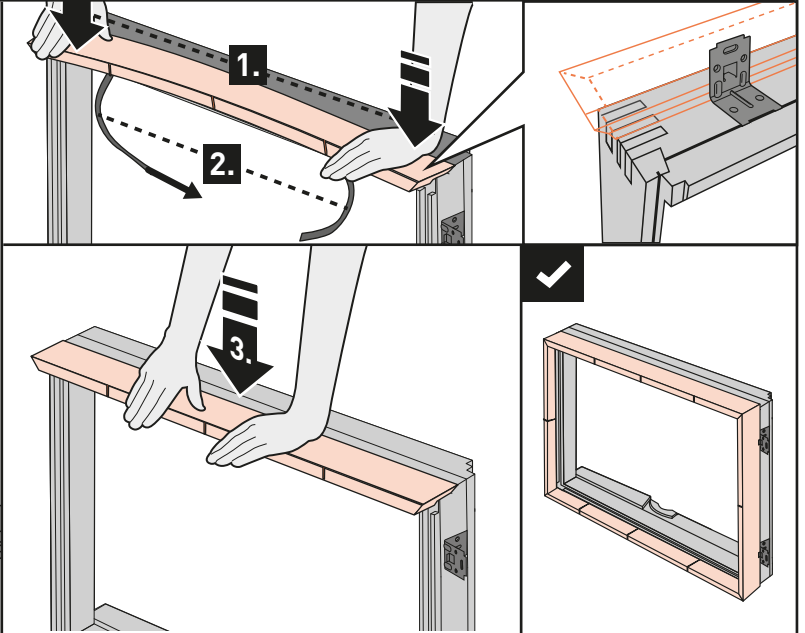
4x!



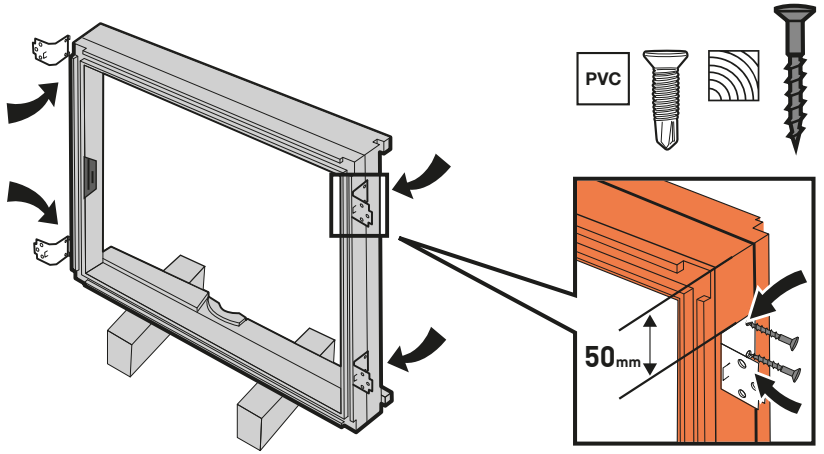
05



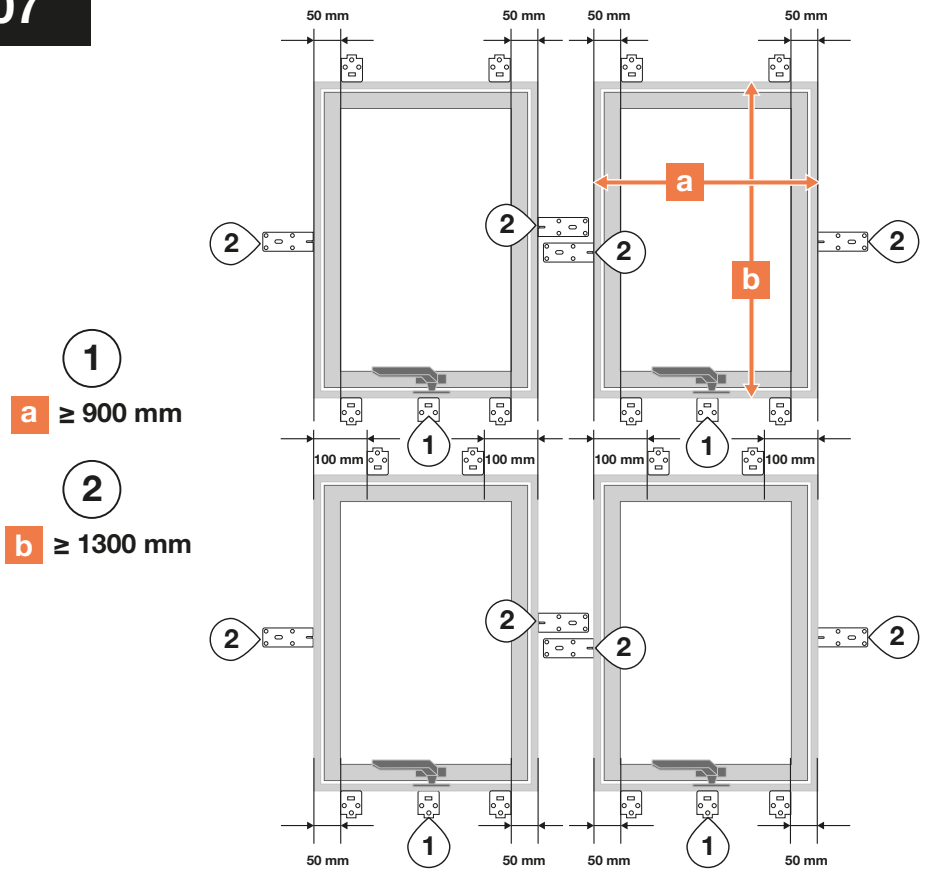
IFC



06



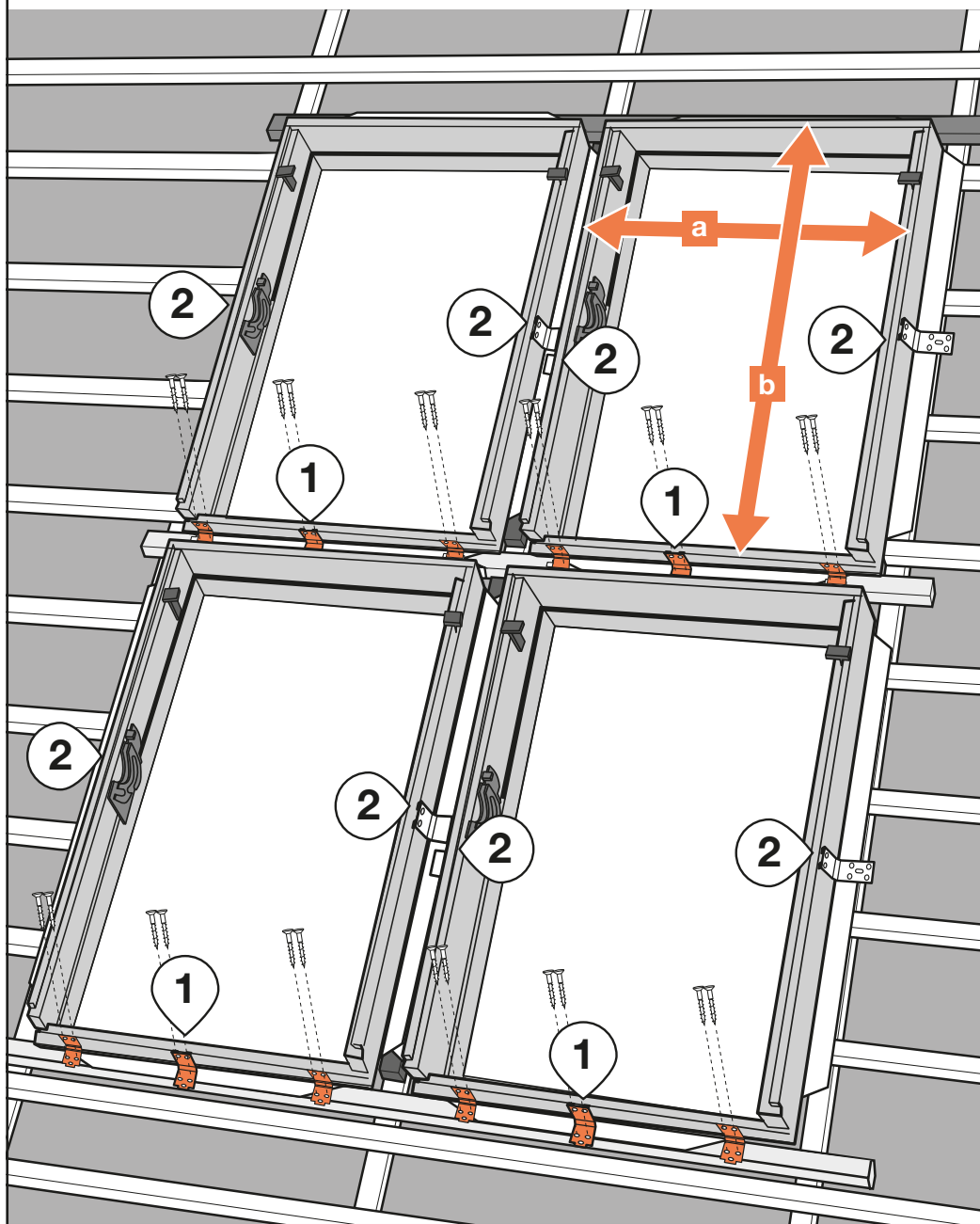
07



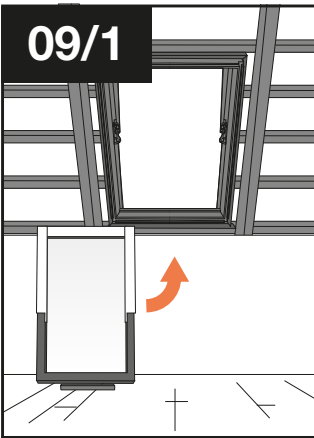
1

**a**  $\geq 900$  mm

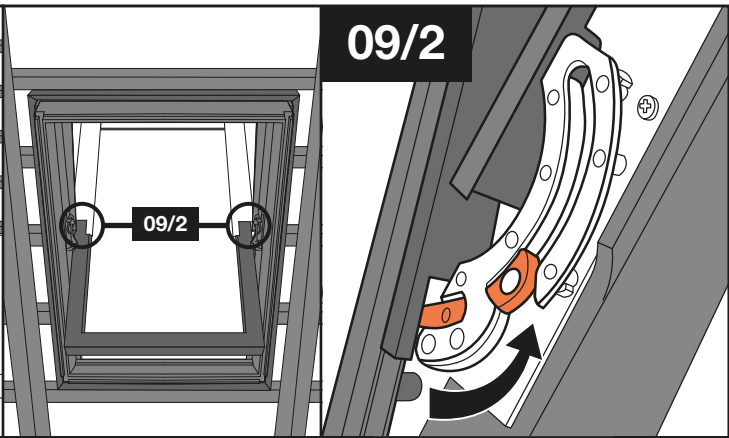
2

**b**  $\geq 1300$  mm

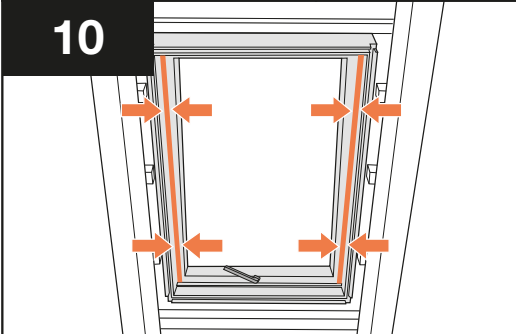
09/1



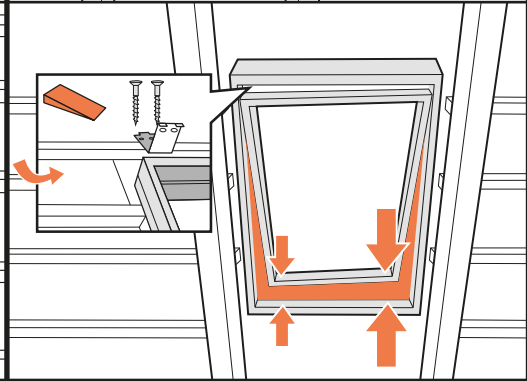
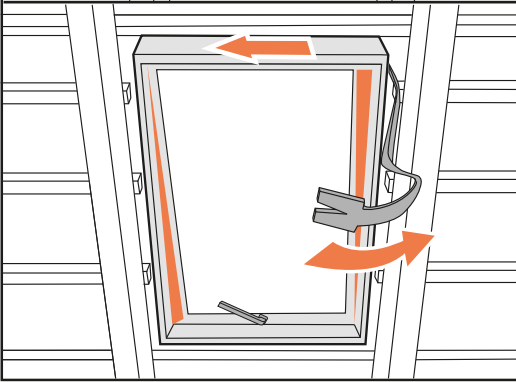
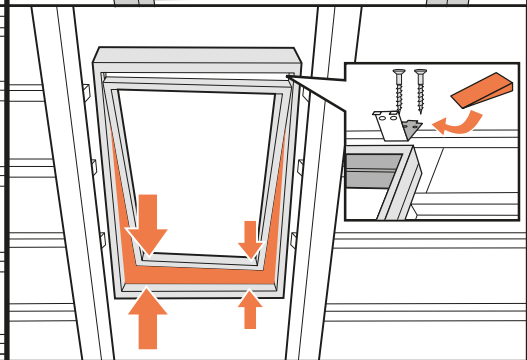
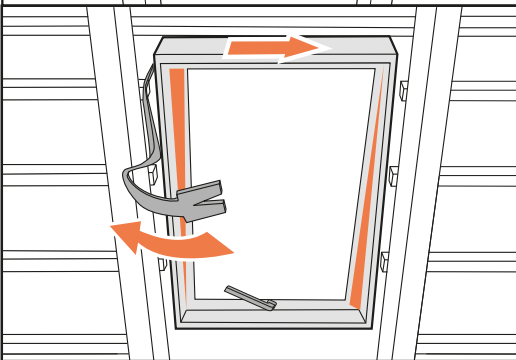
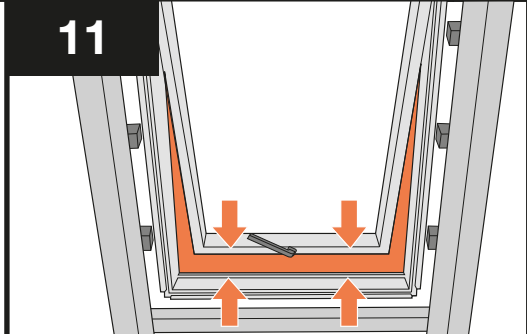
09/2



10



11



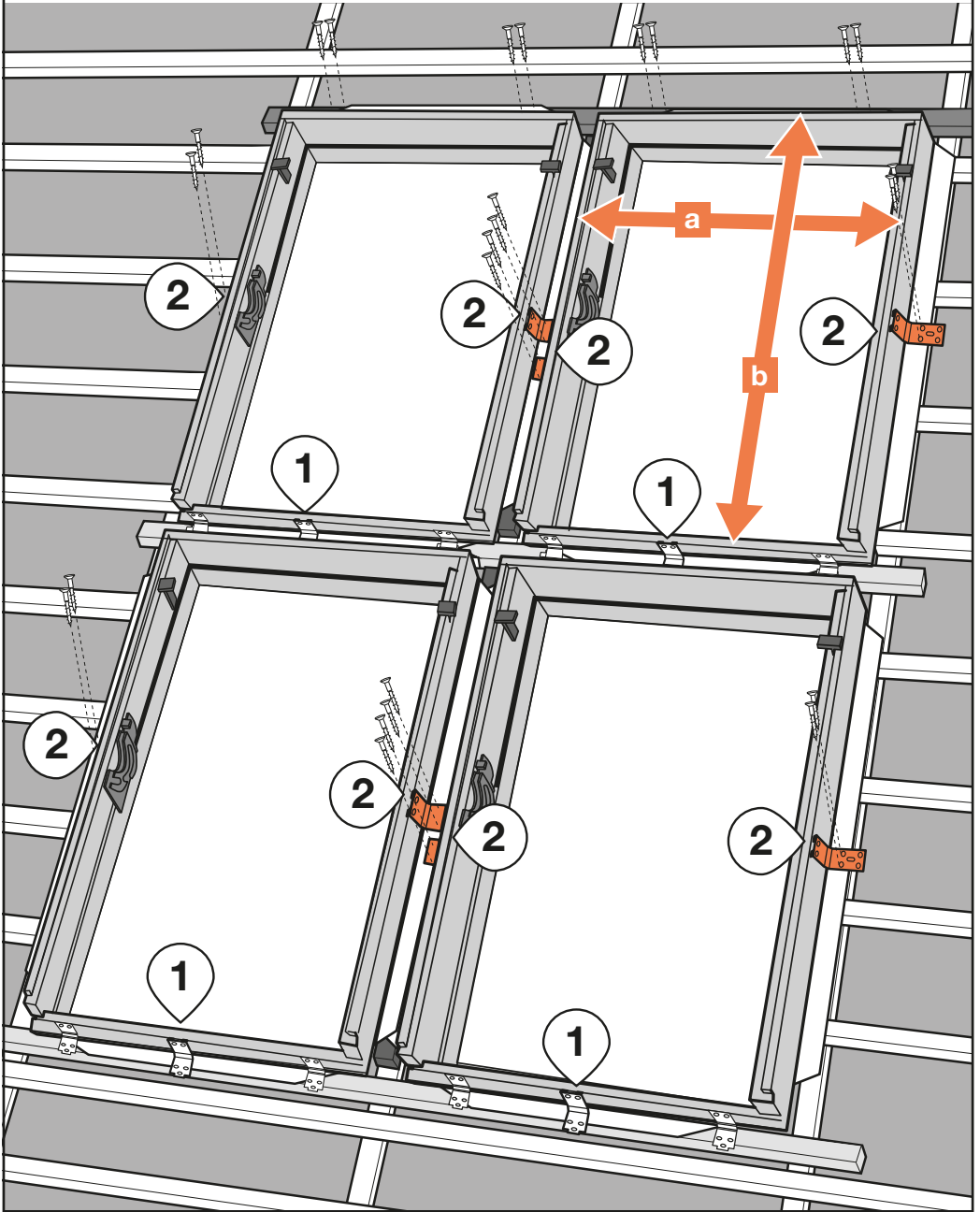


1

**a** ≥ 900 mm

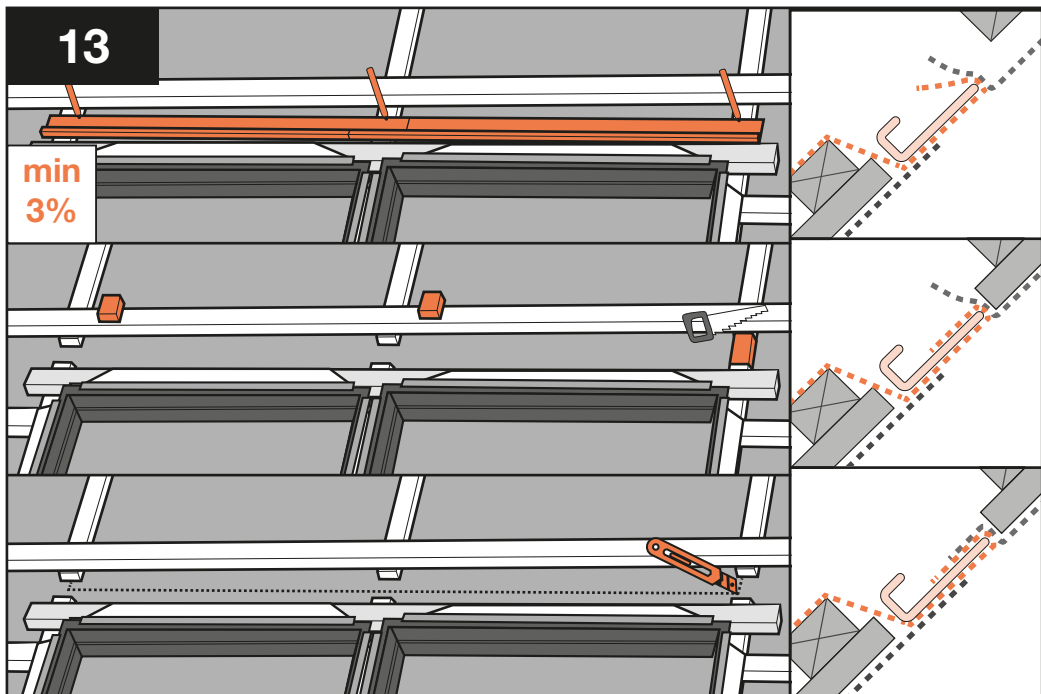
2

**b** ≥ 1300 mm



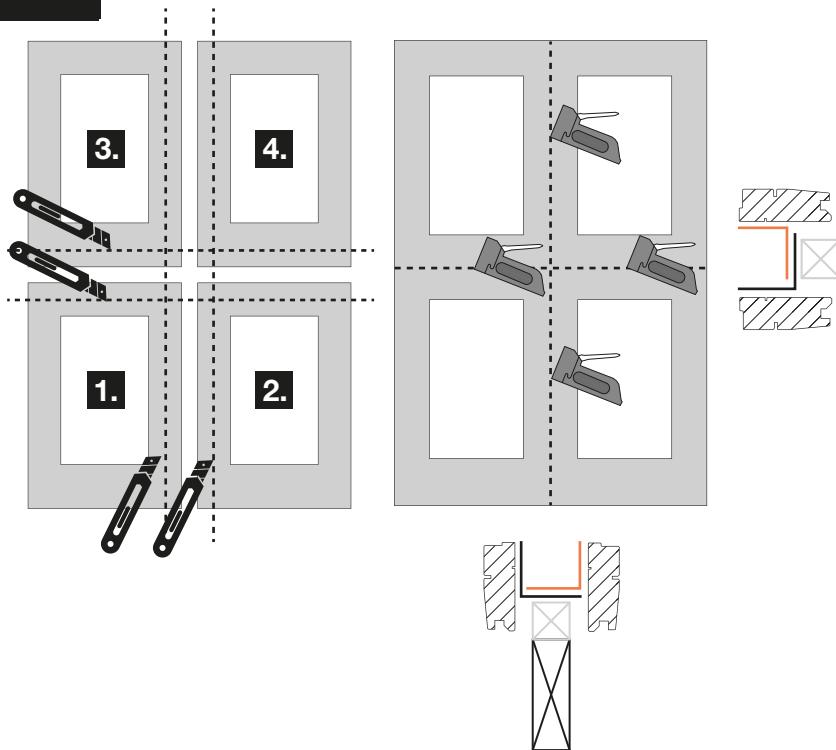
13

min  
3%

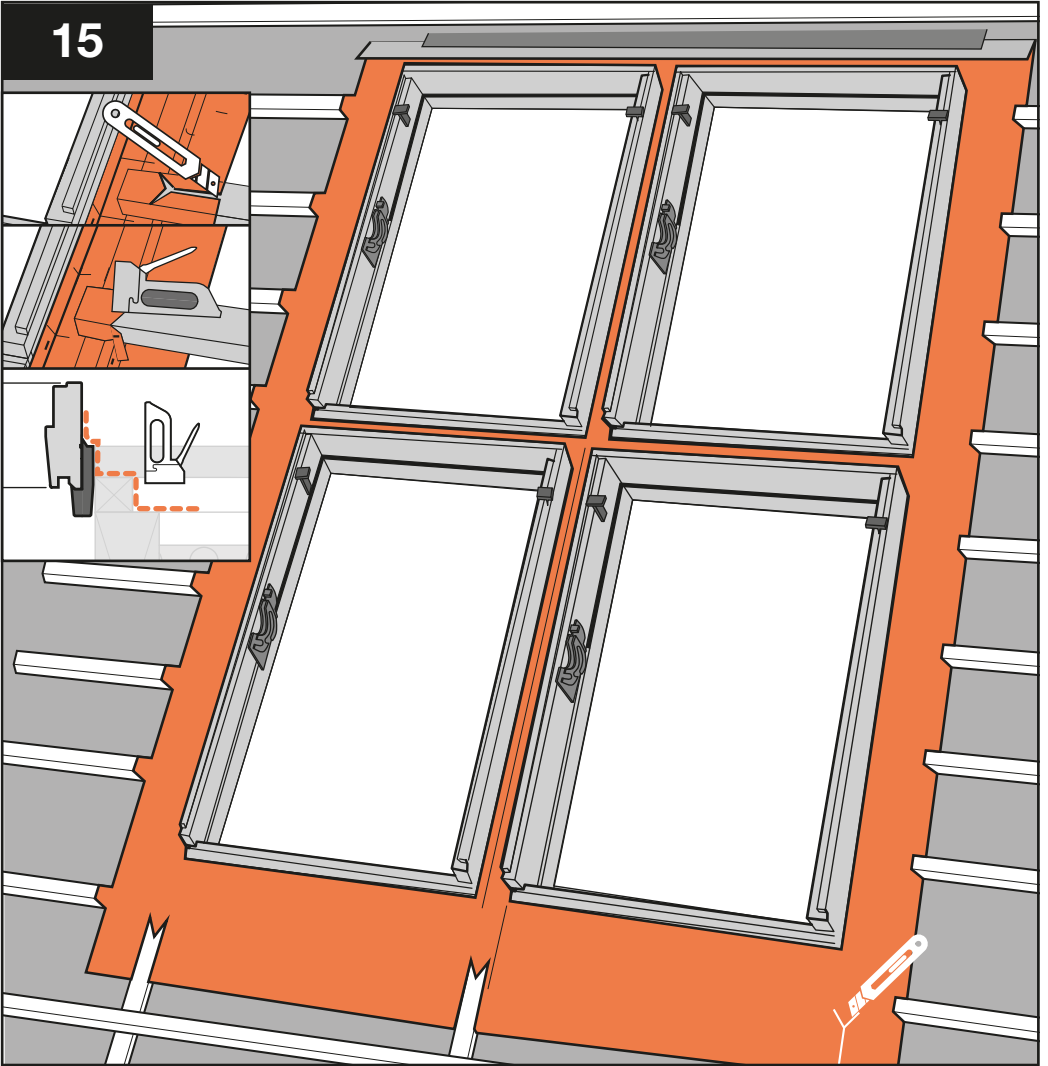


14

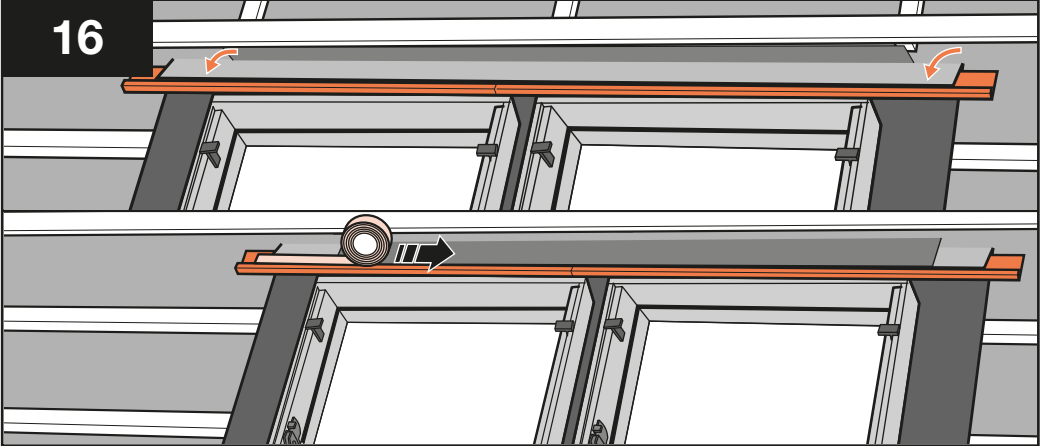
  
RUC

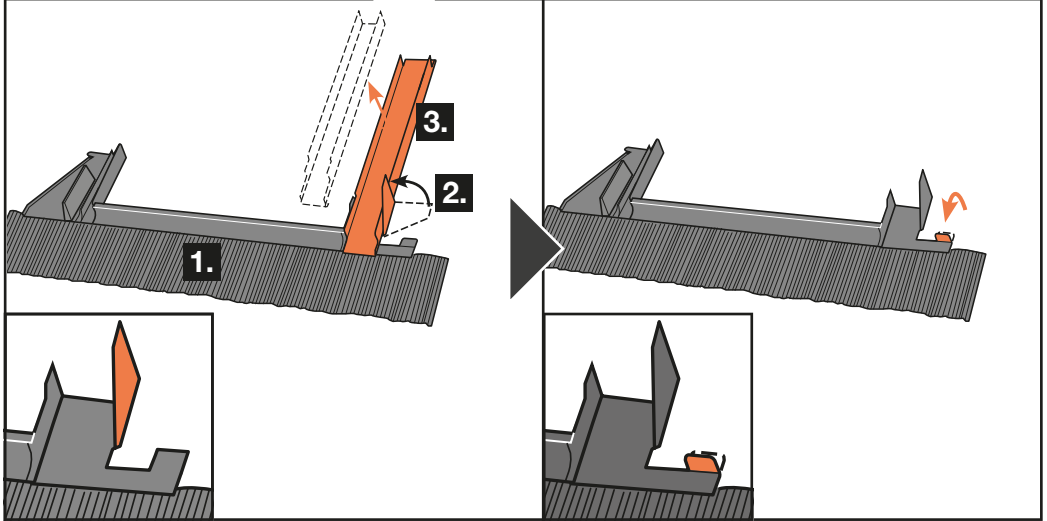
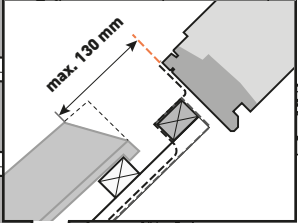
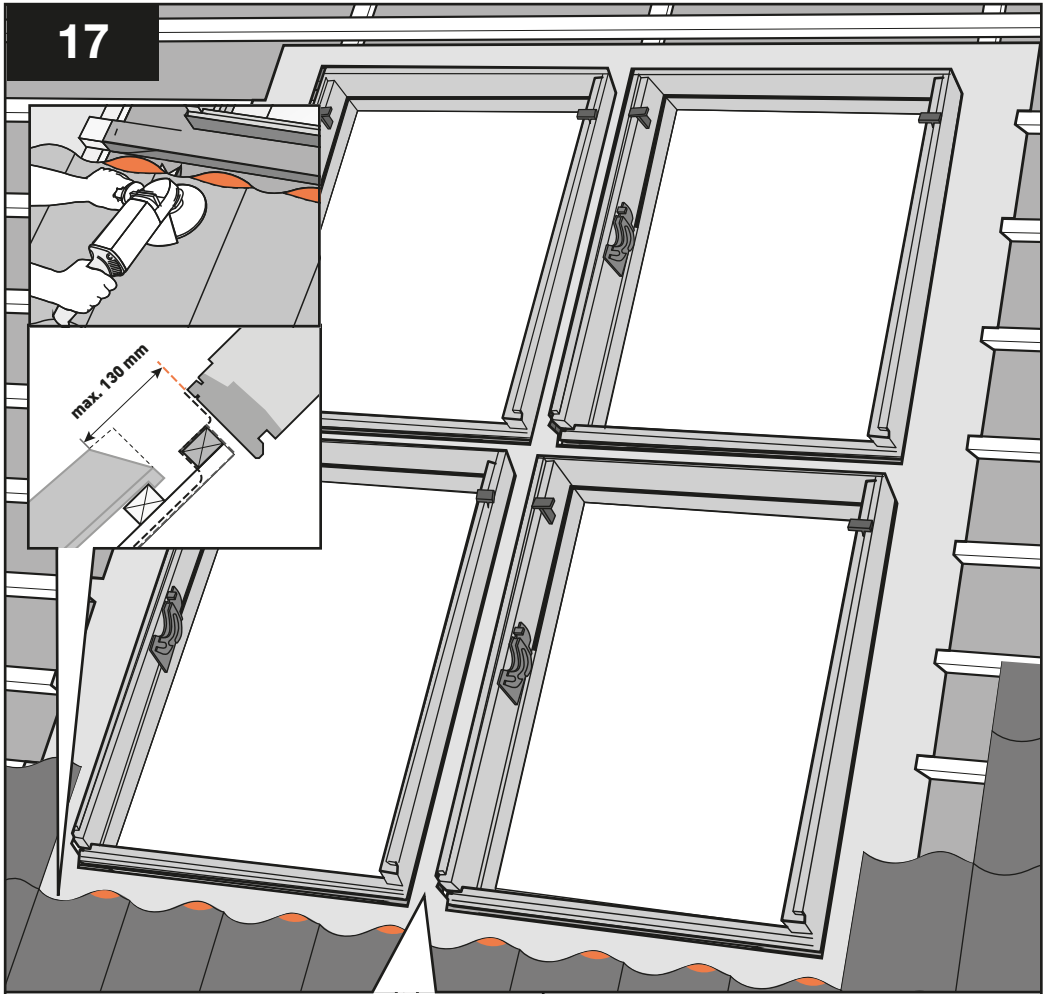


15

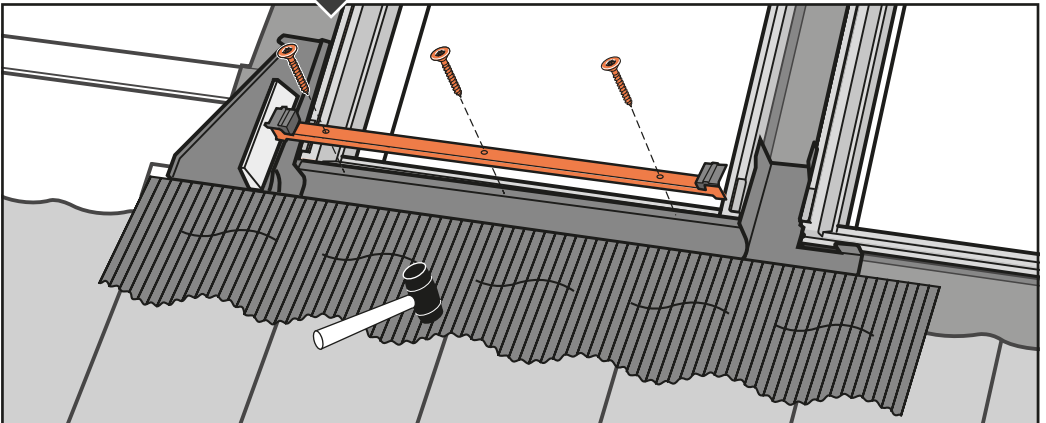
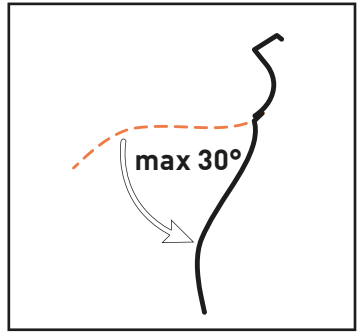
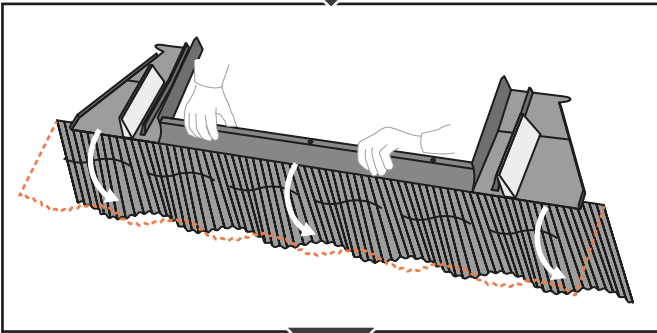
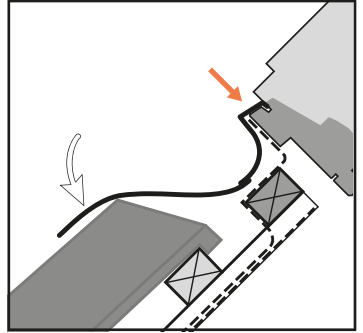
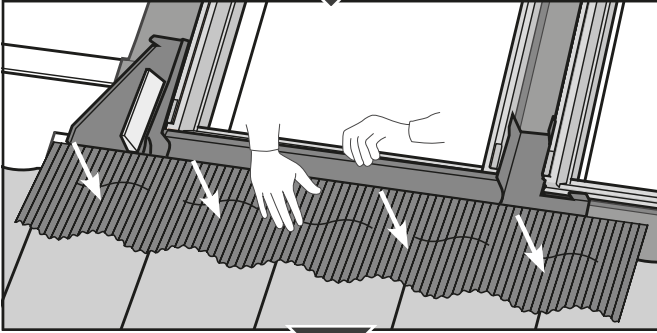
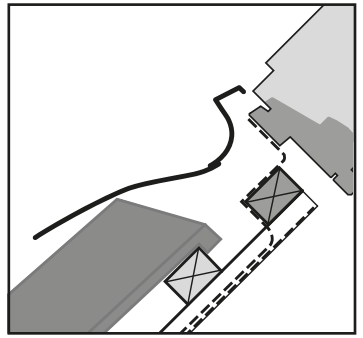
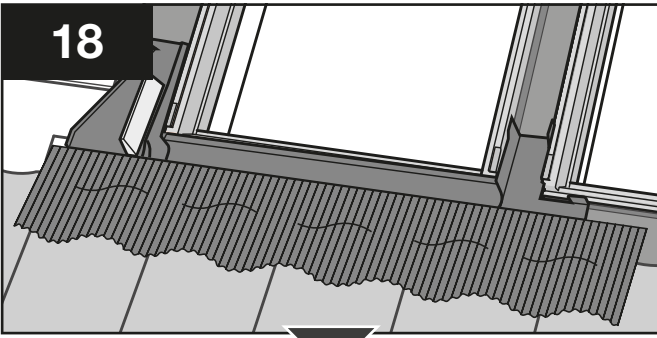


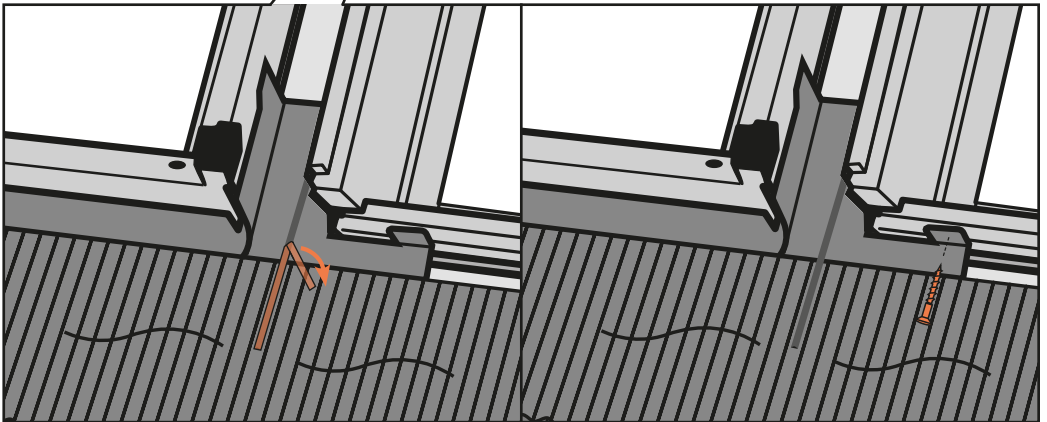
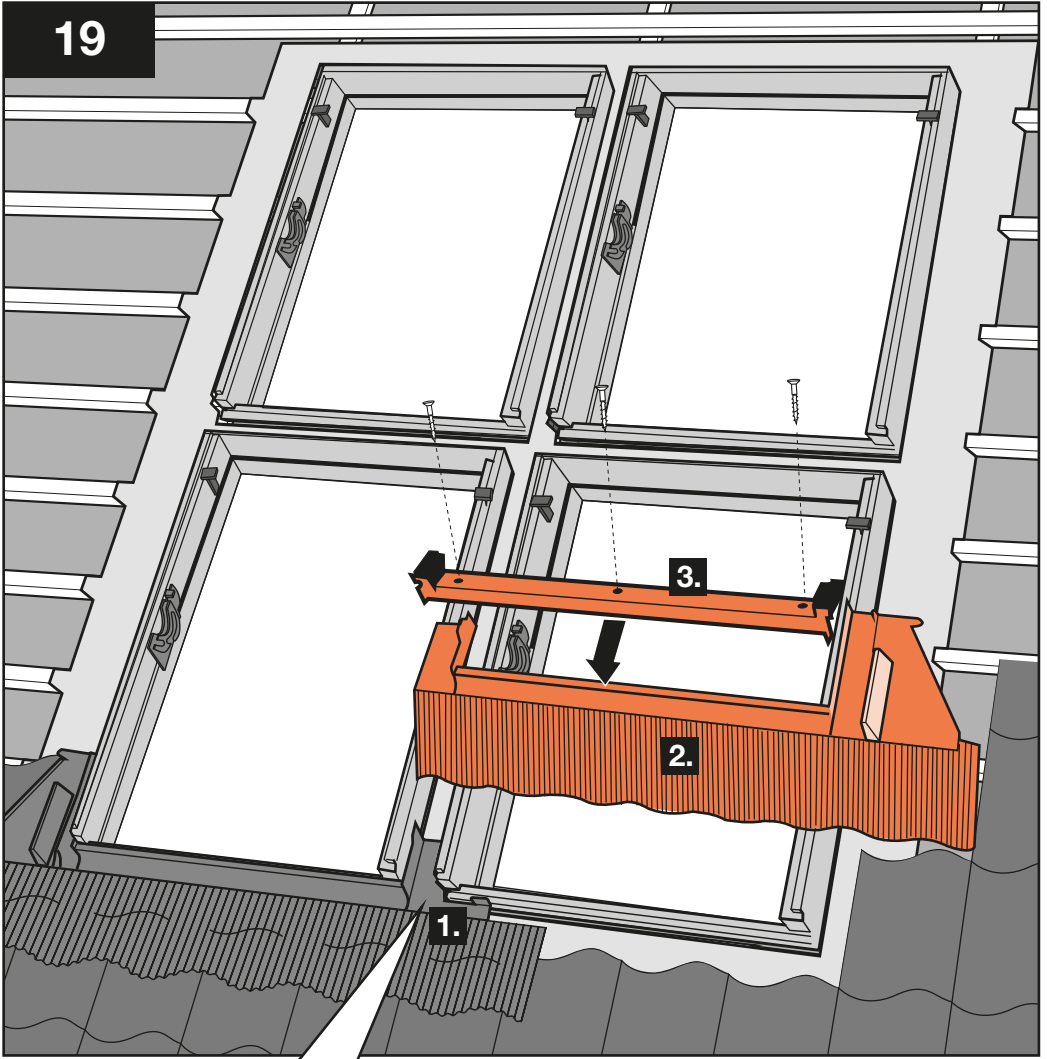
16

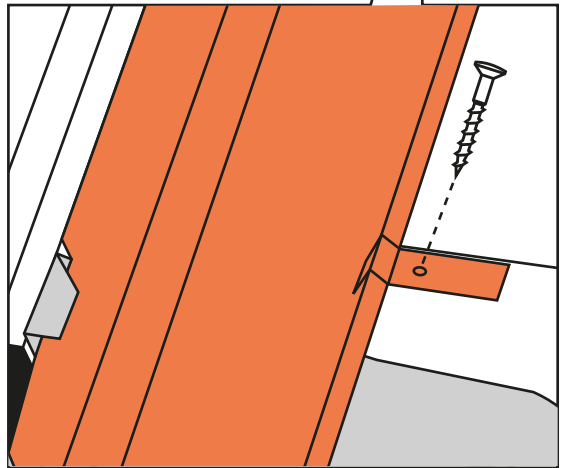
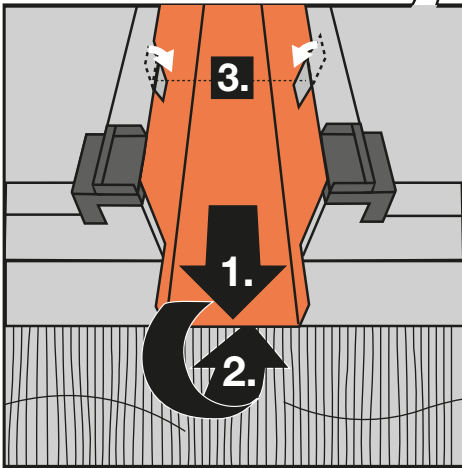
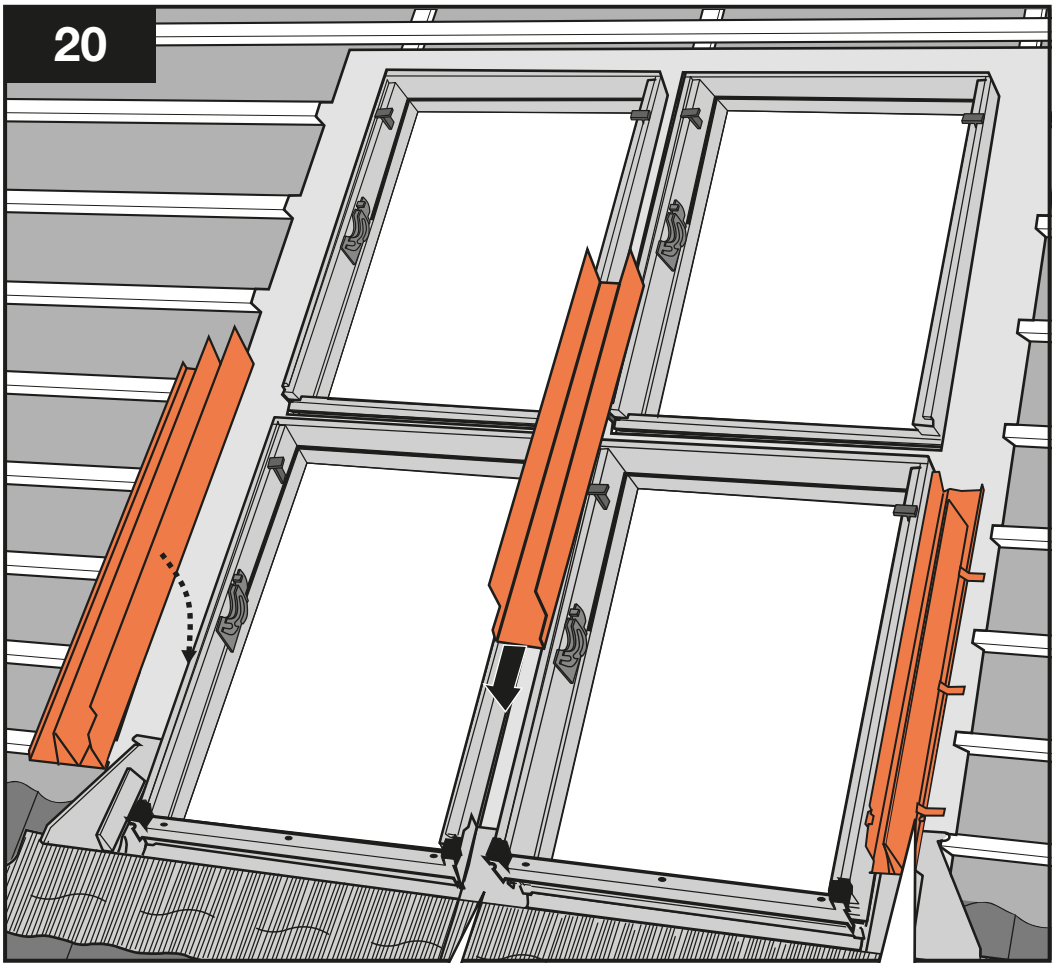




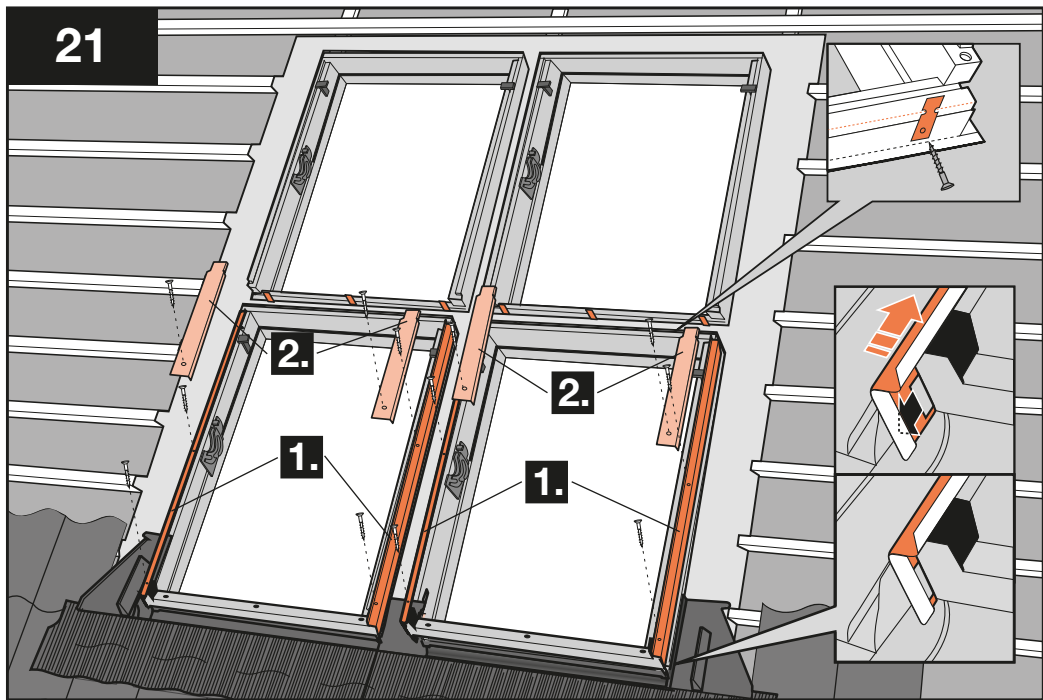
18



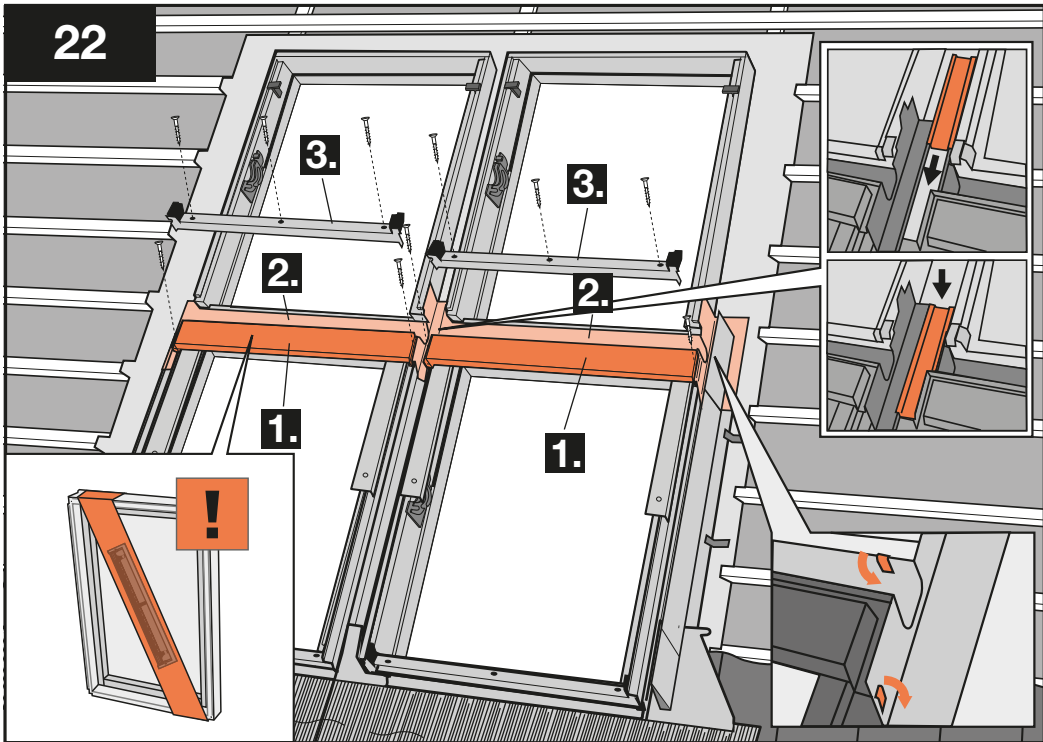




21

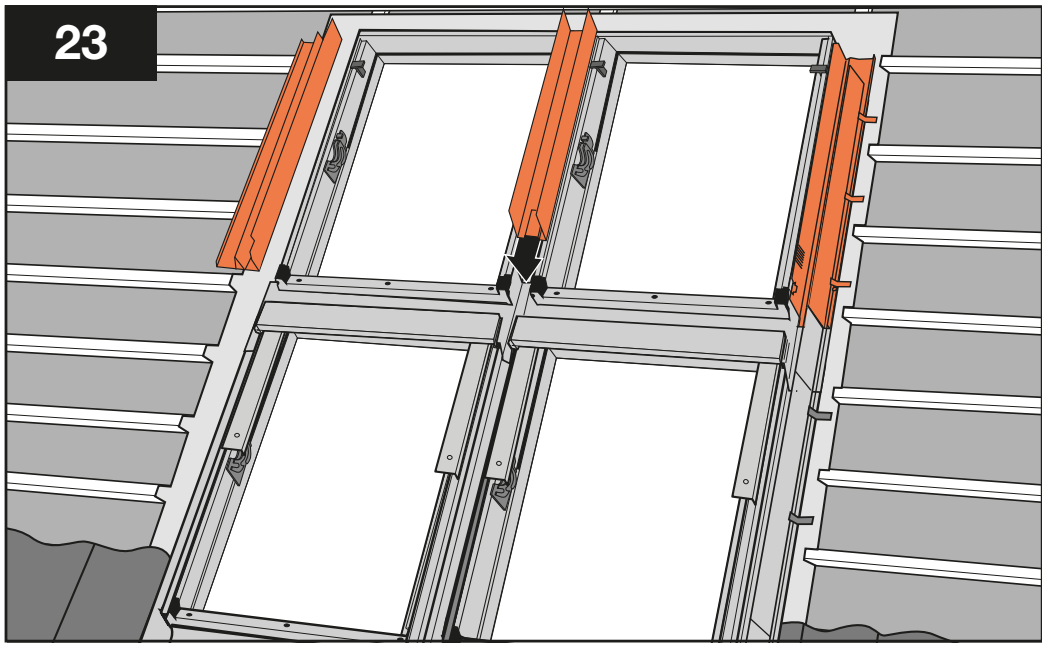


22

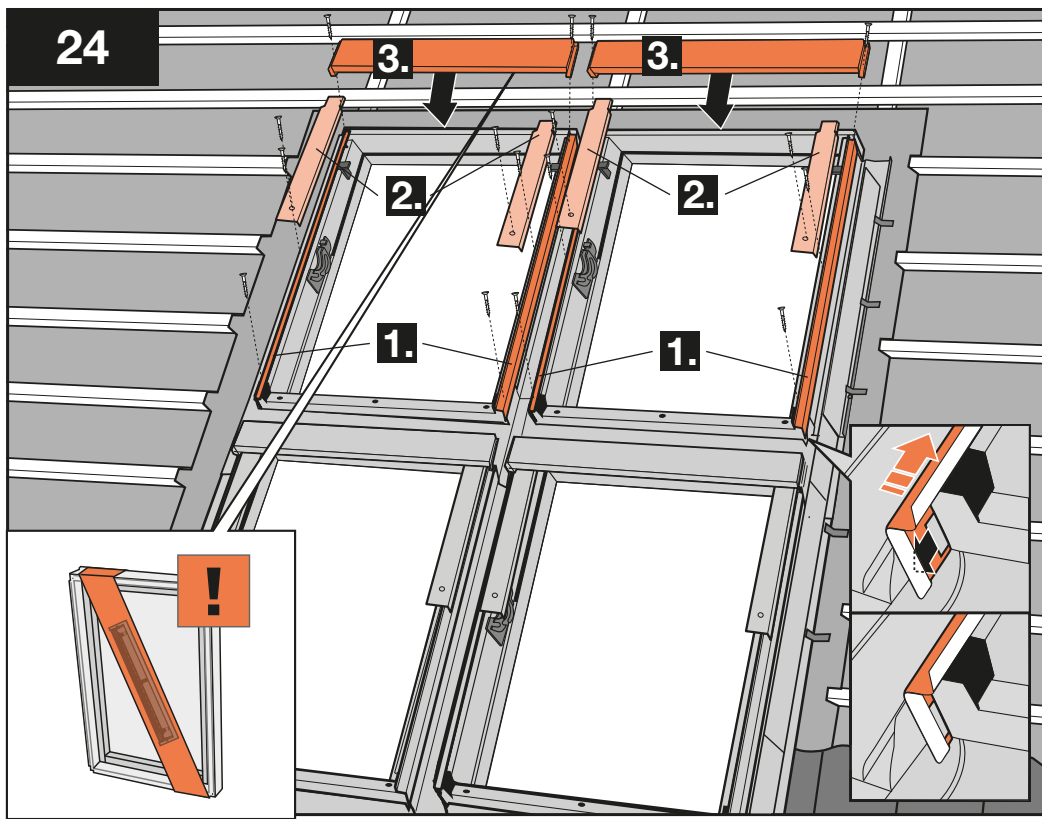


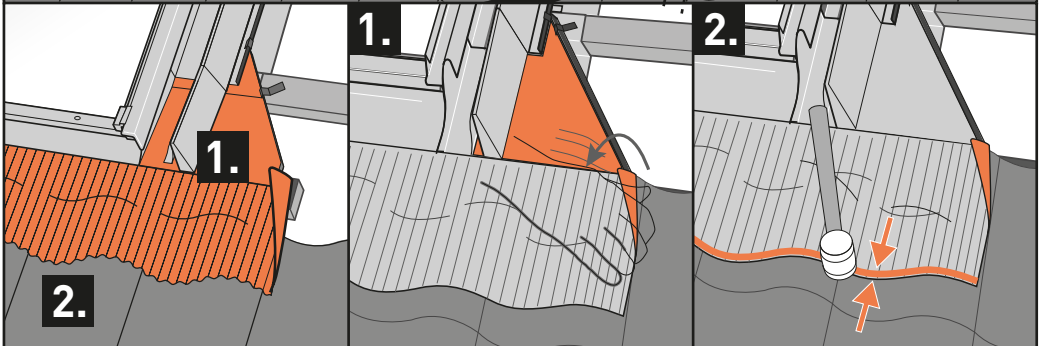
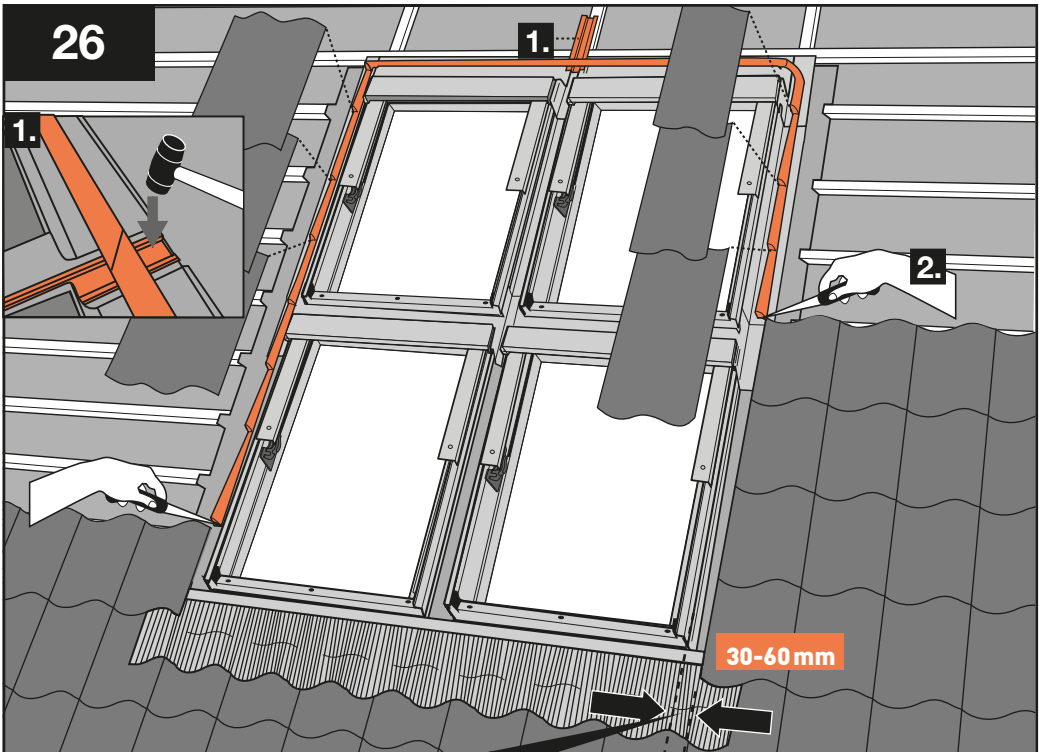
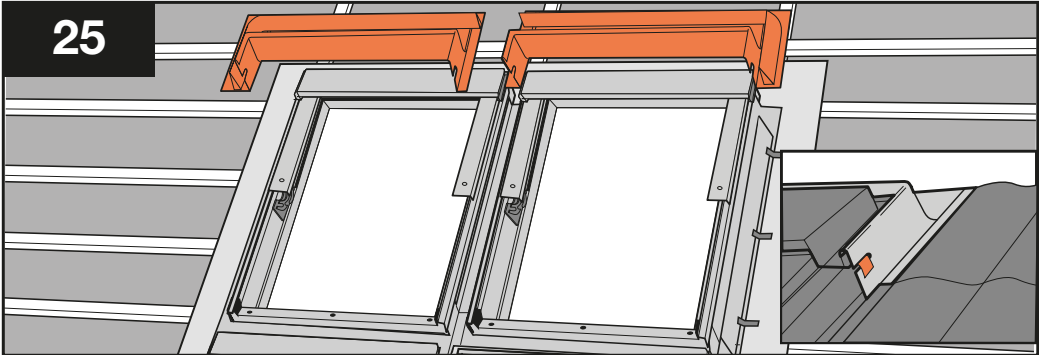


23

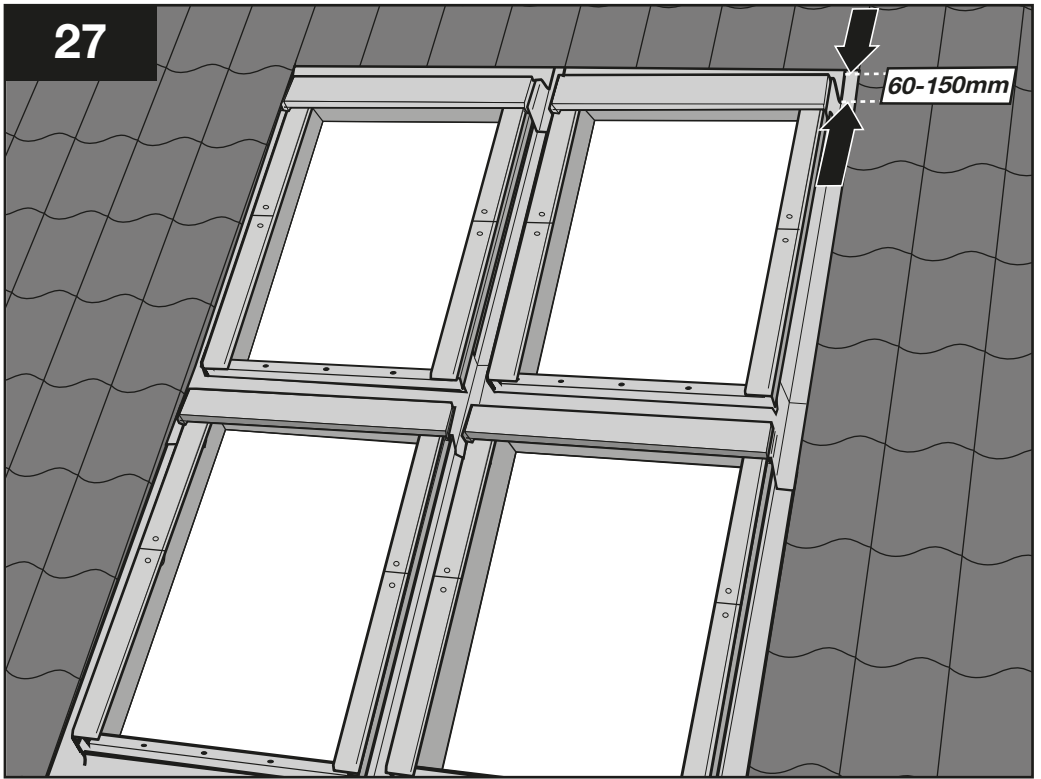


24

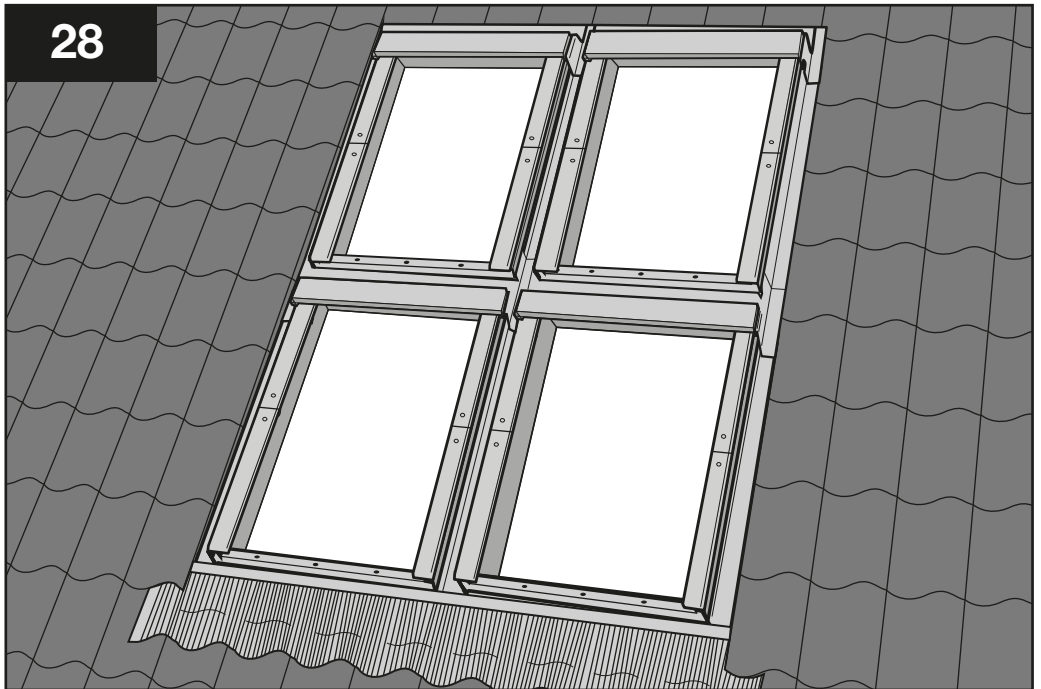




27



28





**15-90°**