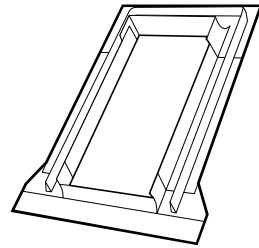
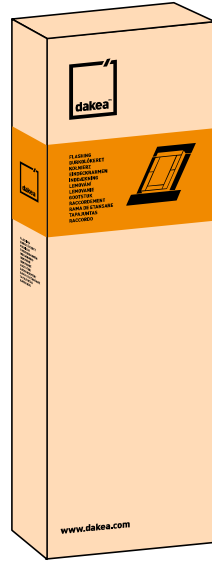


15-90°



0-16 mm



16-50 mm



16-120 mm



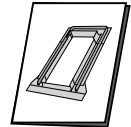
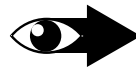
max. 28 mm

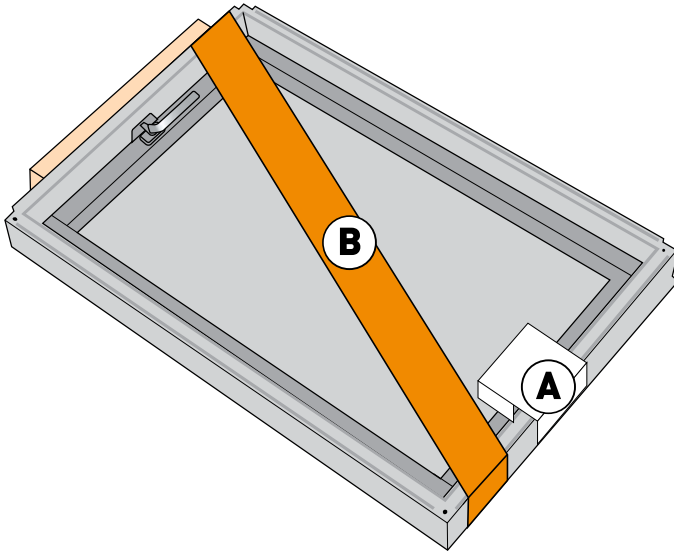


max. 50 mm

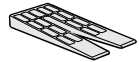
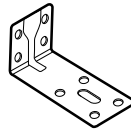
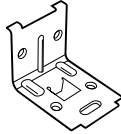


16-50 mm





A



x18: C2A, C4A, F4A,
F6A, M4A, M6A
x27: M8A, M10A,
P6A, S6A, U4A
x36: P8A, P10A,
S8A, U8A

Ø

x4: C2A, C4A, F4A,
F6A, M4A, M6A
M8A, M10A

x2: M8A, M10A,
P8A, P10A,
S8A, U8A

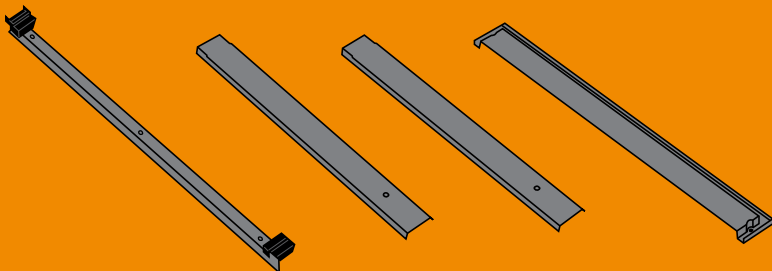
x1

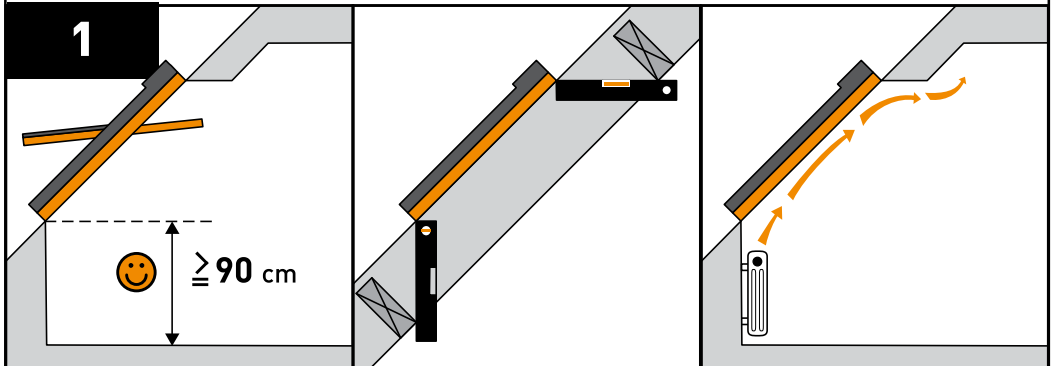
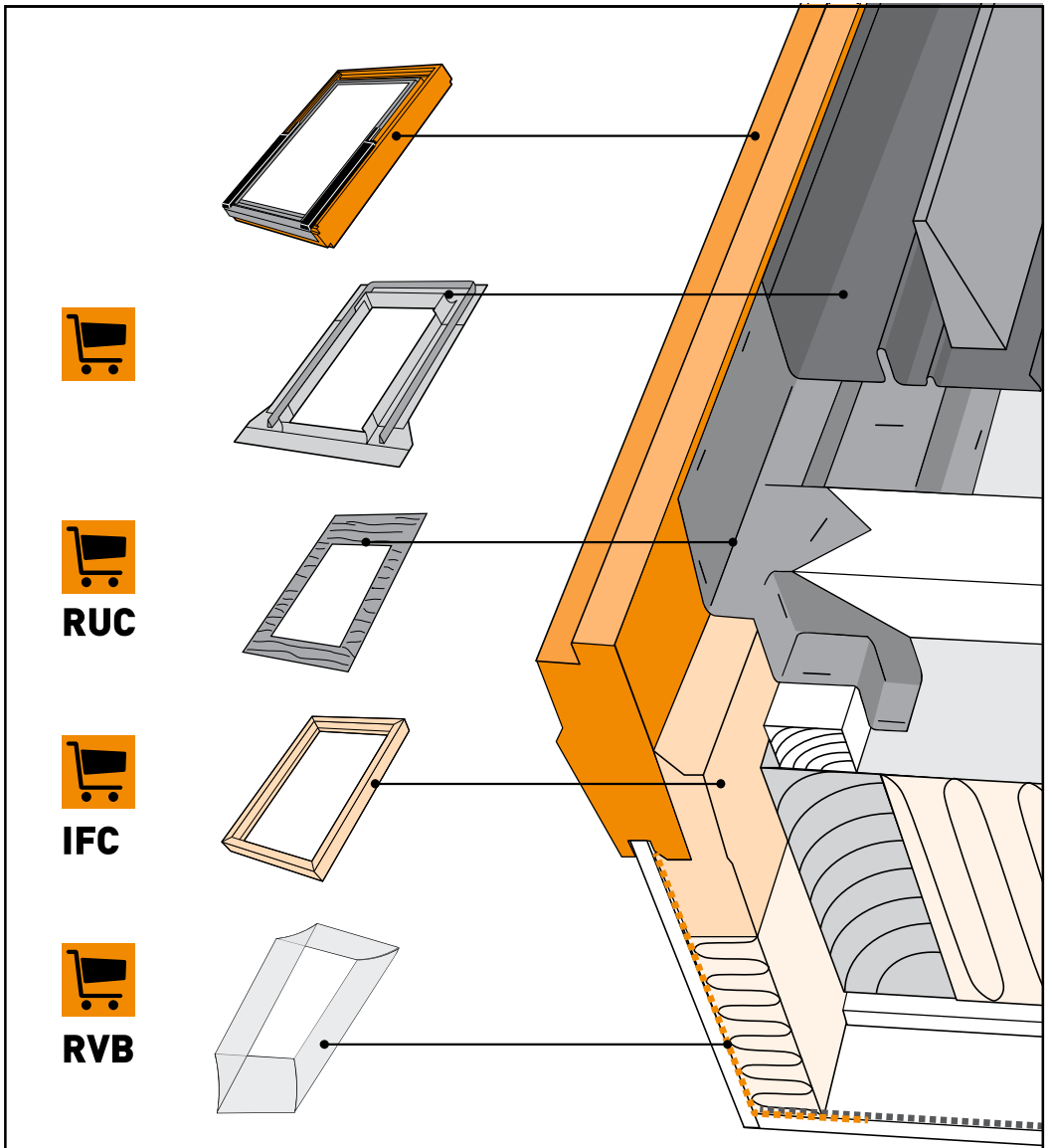
PVC

x18: C2A, C4A, F4A,
F6A, M4A, M6A, M8A,
M10A, P6A, S6A, U4A

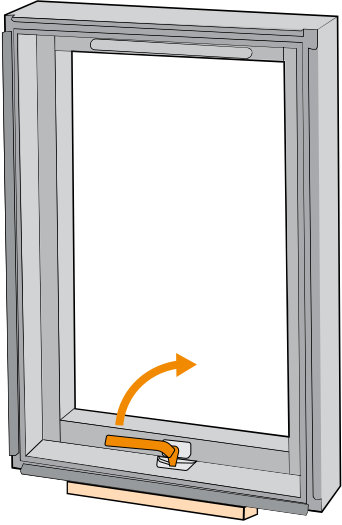
x10: C2A, C4A,
F6A, M4A, M6A
x12: S6A, P6A, U4A
x14: M8A, M10A

B

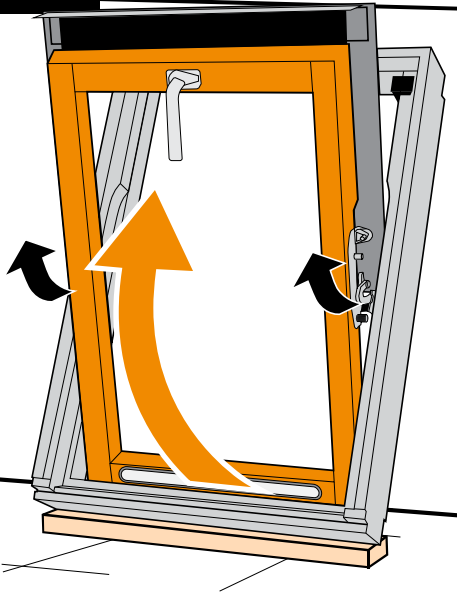




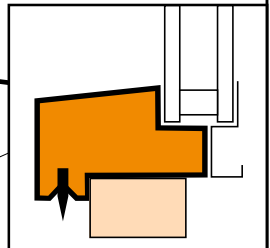
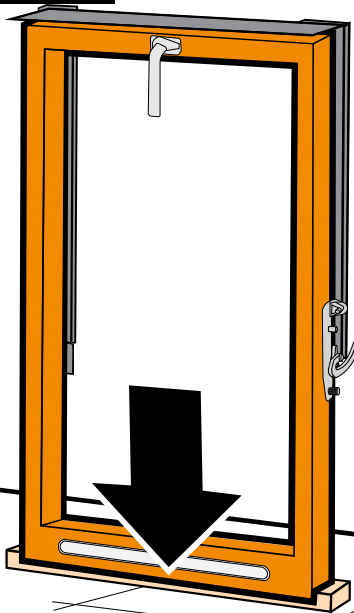
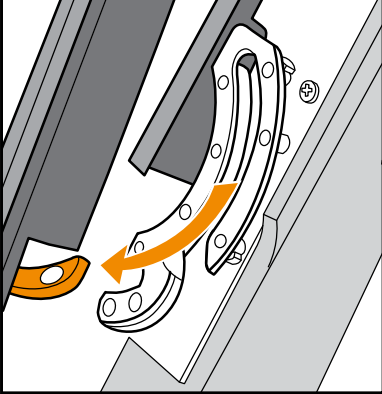
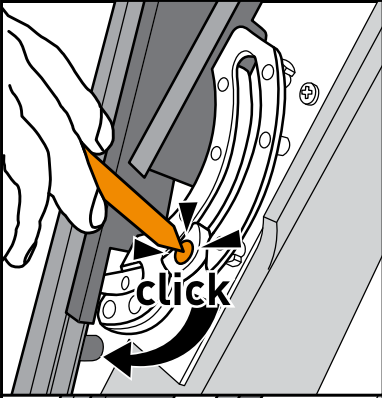
2



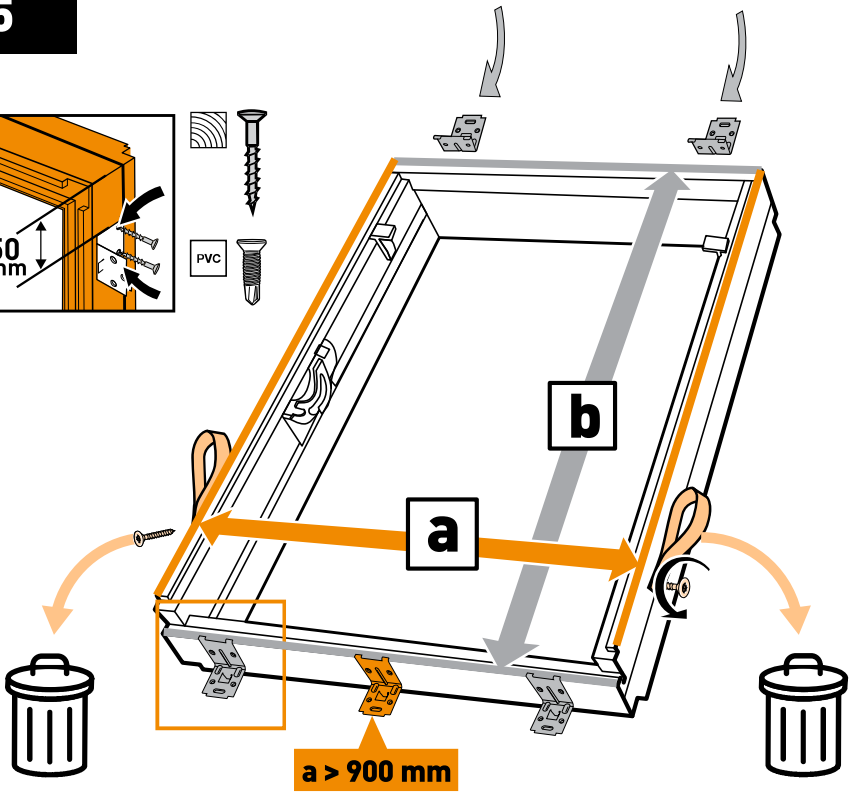
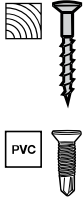
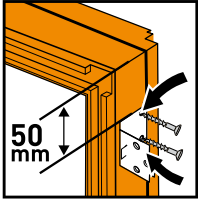
3



4



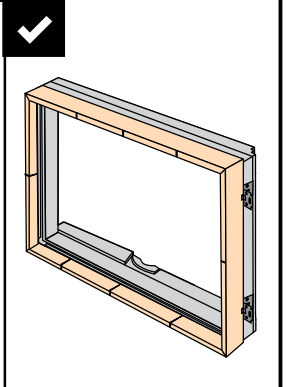
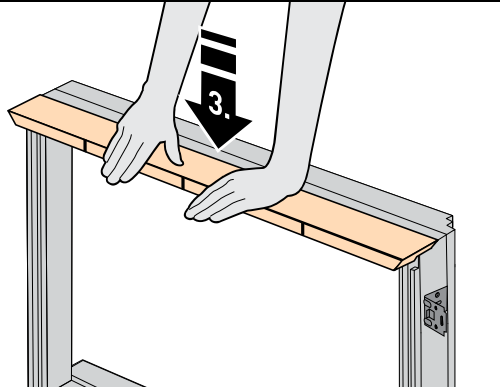
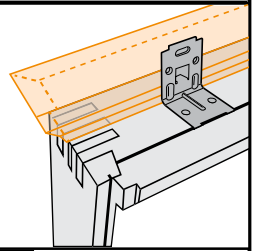
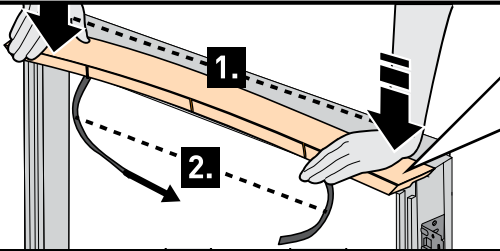
5



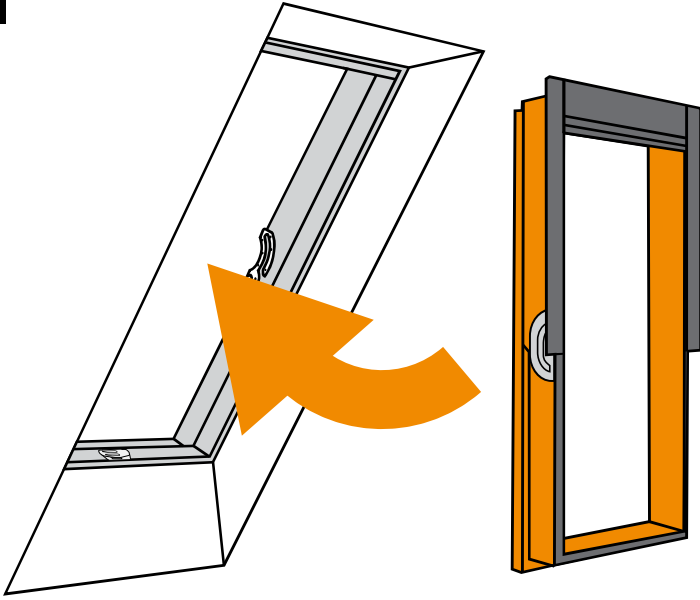
6



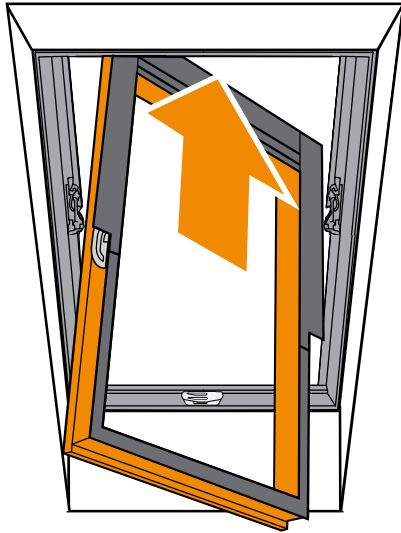
IFC



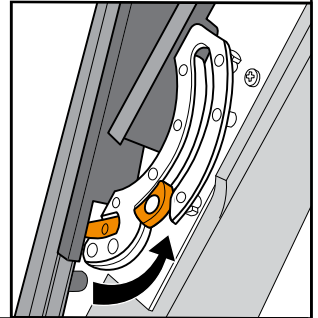
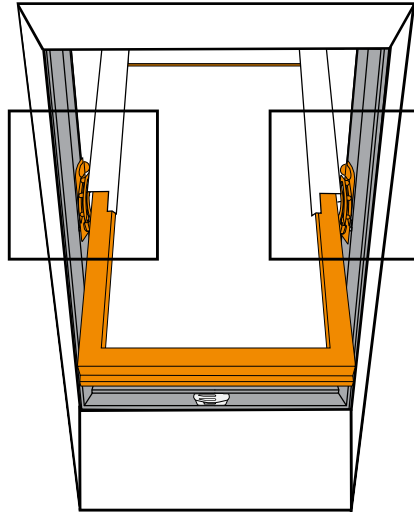
7



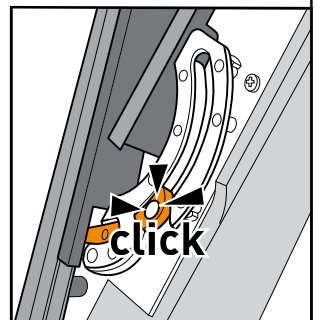
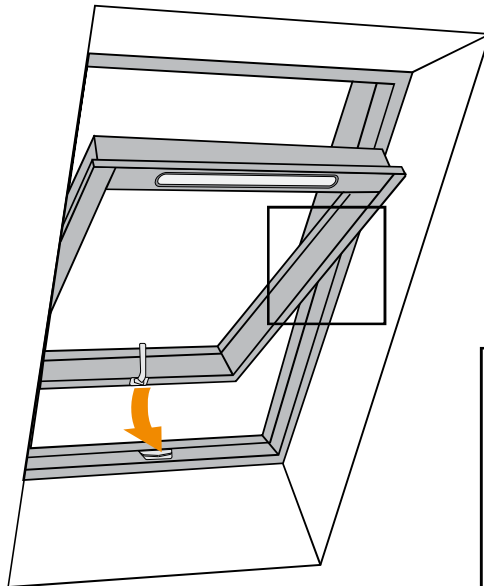
8



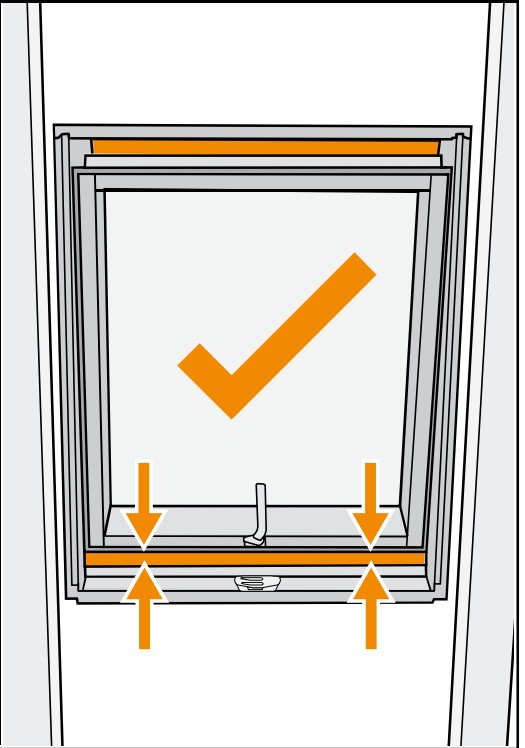
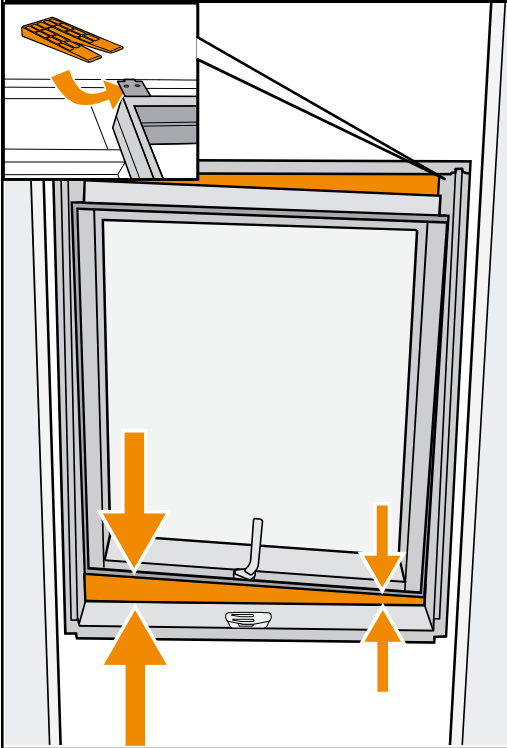
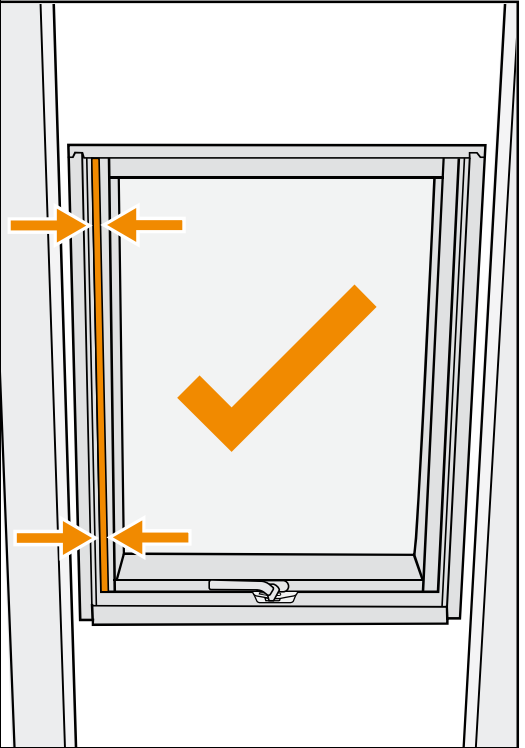
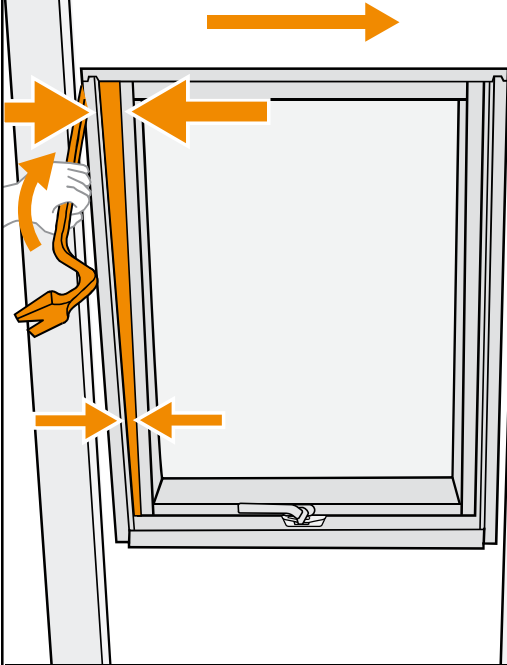
9

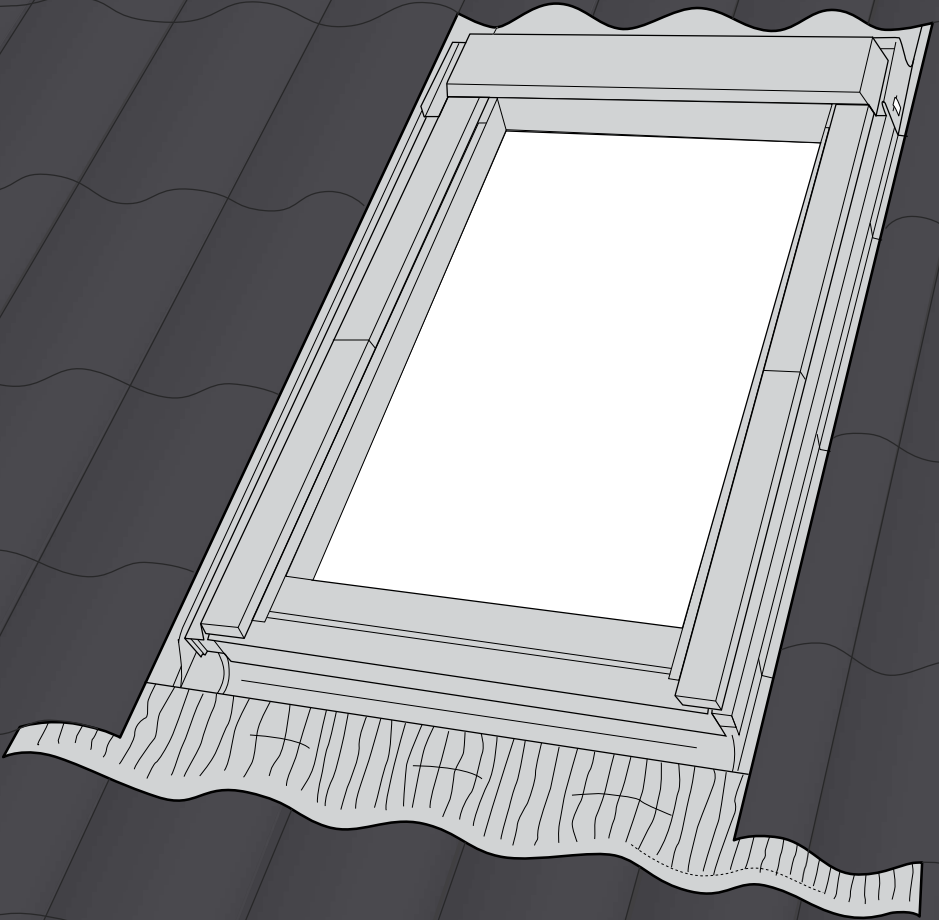


10

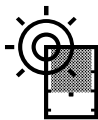


11





DUA



RHA



PAA



MIA



SSR



ZIA

